

2

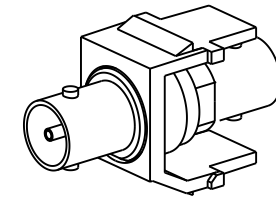
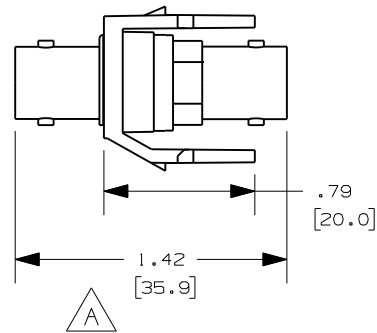
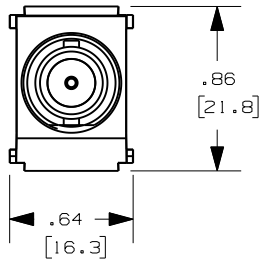
1

THIS COPY IS PROVIDED ON A RESTRICTED BASIS AND IS NOT TO BE USED IN ANY WAY DETRIMENTAL TO THE INTERESTS OF PANDUIT CORP.

PANDUIT P/N	WEIGHT
NKBNCM**Y	.36 LB/10 PCS (165 g/10 PCS)

NOTES:

1. SEE CURRENT CATALOG FOR ADDITIONAL PART NUMBER SUFFIXES TO INDICATE COLOR AND OR PACKAGE QUANTITY.
2. SEE CATALOG FOR COMPLETE LIST OF PARTS APPLICABLE FOR USE WITH THIS PART.
3. DIMENSIONS IN PARENTHESES ARE IN METRIC.
4. PART INCLUDES:
 - 1- MODULE BASE
 - 1- BNC COUPLER (ASSEMBLED TO MODULE BASE)



PART NUMBER	NKBNCM**Y	PRODUCT SPEC/PKG SPEC	N/A
I.I. NUMBER	N/A	WORK INSTRUCTION	N/A

TITLE	
NETKEY 50ohm BNC COUPLER MODULE	
CUSTOMER DRAWING	
ITEM REVISION NAME	M02479HU/00.PRT

DATASET FILE NAME	M02479HU_DC205/00B.PRT	PANDUIT TM
UNLESS OTHERWISE SPECIFIED, DIMENSIONAL TOLERANCES ARE: IN [mm]		

.x : .1 [2.54] .xxx : .010 [.254]		PANDUIT TM
.xx : .02 [.50] ANGLES : 5 °		
		MATERIAL:
THIRD ANGLE PROJECTION		ABS
DRAWING NUMBER:		02479-205

1	10-5-12	BJN	MBVE	MBVE	A. LENGTH DIMENSION WAS 1.28	02479-205
R	4-24-06	JSP			RELEASED TO PRODUCTION	02479-205

REV	DATE	BY	CHK	APR	DESCRIPTION	ECN
-----	------	----	-----	-----	-------------	-----

DRAWN BY	JSP	DATE	4-24-06	CHK		SCALE	NONE	SHT 1 OF 1	SIZE	A
----------	-----	------	---------	-----	--	-------	------	------------	------	---

2

1