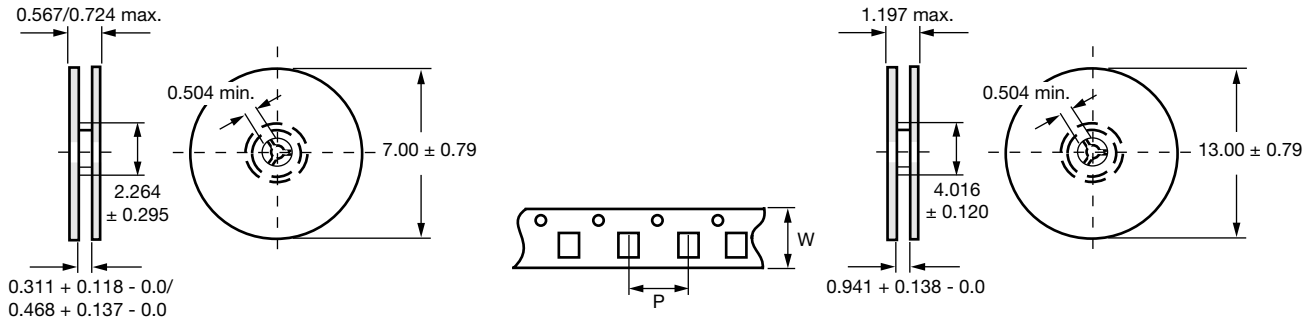


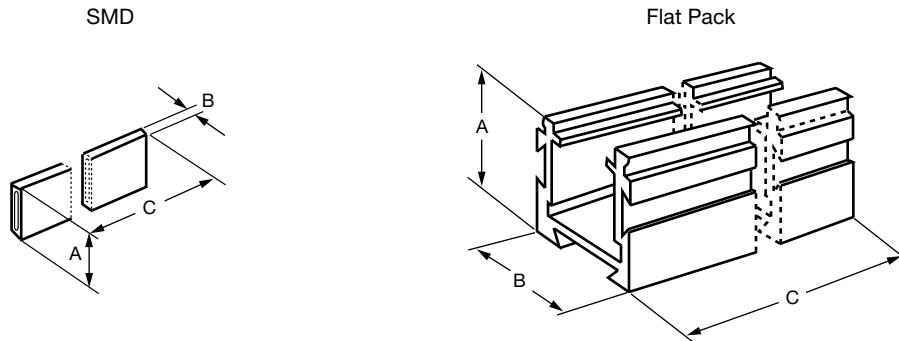
## Network Packaging

### NETWORK FILM TAPE AND REEL PACKAGING



MODEL	SIZE	PACKAGING CODE		DIMENSIONS IN INCHES (mm)			PACKAGING UNIT (Pieces)
		LEAD (Pb)-BEARING	LEAD (Pb)-FREE	REEL SIZE	P	W	
CRCA	12E, 12S	R	E	7	0.315 (8.00)	0.472 (12.00)	2000
CRCC	1206	TF	EA	7	0.157 (4.00)	0.472 (12.00)	4000
CZA	04S	TD	EA	7	0.079 (2.00)	0.315 (8.00)	10 000
	06S	RT	EA	7	0.157 (4.00)	0.315 (8.00)	4000
SOGC	16, 20	RZ	EA	13	0.472 (12.00)	0.945 (24.00)	1500
SOMC	14, 16, 20	RZ	EA	13	0.472 (12.00)	0.945 (24.00)	2000

### NETWORK FILM TUBE PACKAGING



MODEL	SIZE	PACKAGING CODE		TYPE	DIMENSIONS IN INCHES (mm)			PACKAGING UNIT (Pieces)
		LEAD (Pb)-BEARING	LEAD (Pb)-FREE		A	B	C	
DFM (Military M83401)	14	D05, DSL	n/a	Flat Pack	1.380 (35.05)	1.100 (27.94)	19.875 (504.83)	140 max.
DFP	14, 16	D05	E05 <sup>(1)</sup>	Flat Pack	1.380 (35.05)	1.100 (27.94)	19.875 (504.83)	140 max.
SOGC	16	DC	EJ	SMD	0.510 (12.95)	0.205 (5.21)	23.500 (596.90)	52
	20	DC	EJ	SMD	0.510 (12.95)	0.205 (5.21)	23.500 (596.90)	42
SOMC	14	DC	EJ	SMD	0.430 (10.92)	0.155 (3.94)	23.500 (596.90)	58
	16	DC	EJ	SMD	0.430 (10.92)	0.155 (3.94)	23.500 (596.90)	52
	20	DC	EJ	SMD	0.430 (10.92)	0.155 (3.94)	23.500 (596.90)	42

**Note**

<sup>(1)</sup> Although lead (Pb)-free packaging codes are assigned, the lead (Pb)-free version of the product has not yet been released