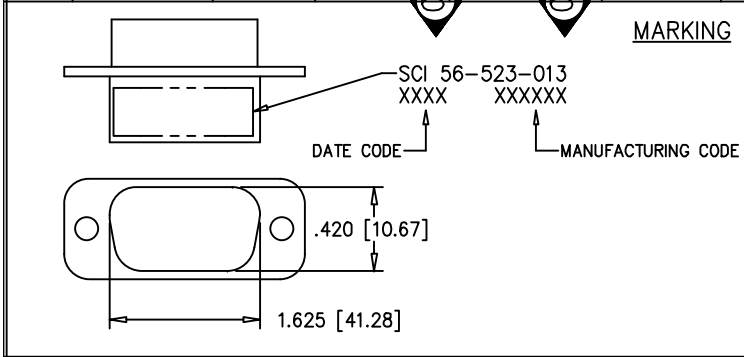
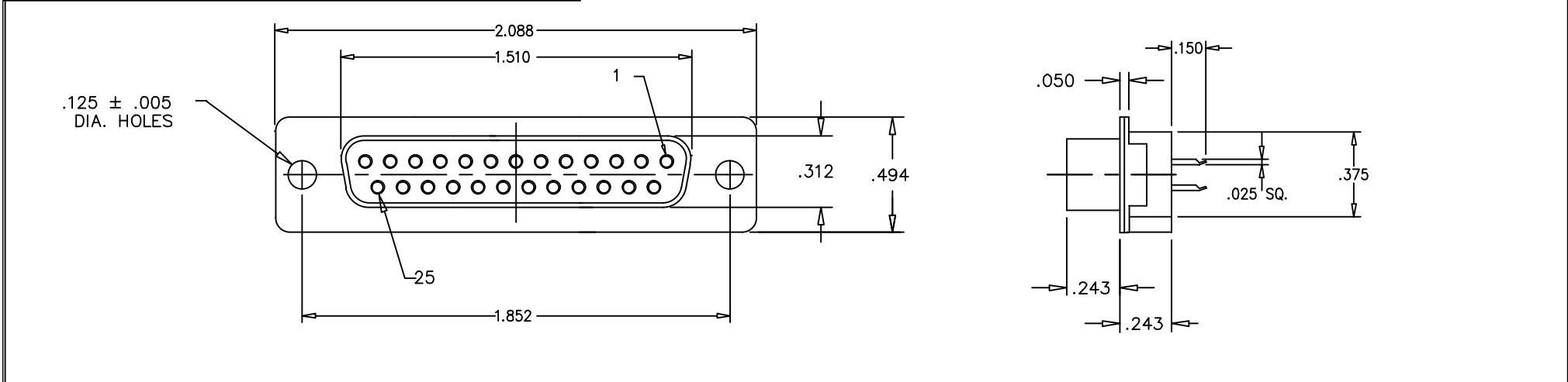


CONN SIZE	FILTER DESIGNATION	FILTER CIRCUITS	CAPACITANCE		3 dB MAX CUTOFF FREQ (MHz)	DIELECTRIC WITHSTANDING VOLTAGE	CONTACT RATING	CONTACT RESIST	WORKING VOLTAGE DC -25°C TO +125°C	MINIMUM INSERTION LOSS-DECIBELS (dB)					
			VALUE	TOLERANCE						20 MHz	100 MHz	500 MHz	1 GHz	2 GHz	5 GHz
25	013	FT	700pF 1300pF	MIN. MAX.	3	300 V	5 AMPS	.010 OHM MAX	100 VDC	8	21	35	41	38	25



NOTES:

1. SHELL: STEEL, TIN PLATE
2. INSULATORS: UL94V-0
3. CONTACTS: COPPER ALLOY: .000030 GOLD IN SOCKET CONTACT MATING AREAS



THIS DOCUMENT CONTAINS PROPRIETARY INFORMATION AND IS COPYRIGHTED. EXCEPT WITH THE WRITTEN PERMISSION OF SPECTRUM CONTROL INC., OR ITS SUBSIDIARIES, SUCH INFORMATION SHALL NOT BE PUBLISHED OR DISCLOSED TO OTHERS OR USED FOR ANY PURPOSE AND THIS DOCUMENT SHALL NOT BE DUPLICATED IN WHOLE OR IN PART.

CN 201690 6 CN 199114 5	REV. NO.	UNLESS OTHERWISE SPECIFIED DIMENSIONS ARE IN INCHES. CADD SCALE: FULL PLOT SCALE: 2x	TOLERANCES UNLESS OTHERWISE SPECIFIED Fractions ± 1/64
	CHANGE NOTICE		Dec. .xx±
			Dec. .xxx± .015
			Angles ±0° 30'
CODE IDENT. NO. 33095			

CONNECTOR PRODUCTS DIVISION
ERIE, PENNSYLVANIA

SPECTRUM CONTROL INC.
Description 25 POSITION LOW PROFILE, SOCKET/PCB TAIL FILTERED CONNECTOR

Dwn. KRZALIC
Date 5/17/01
Apvd. κ wood

Sheet 1 of 1

B 56-523-013

Quality Products From The Specialists In Electro-Magnetic Compatibility