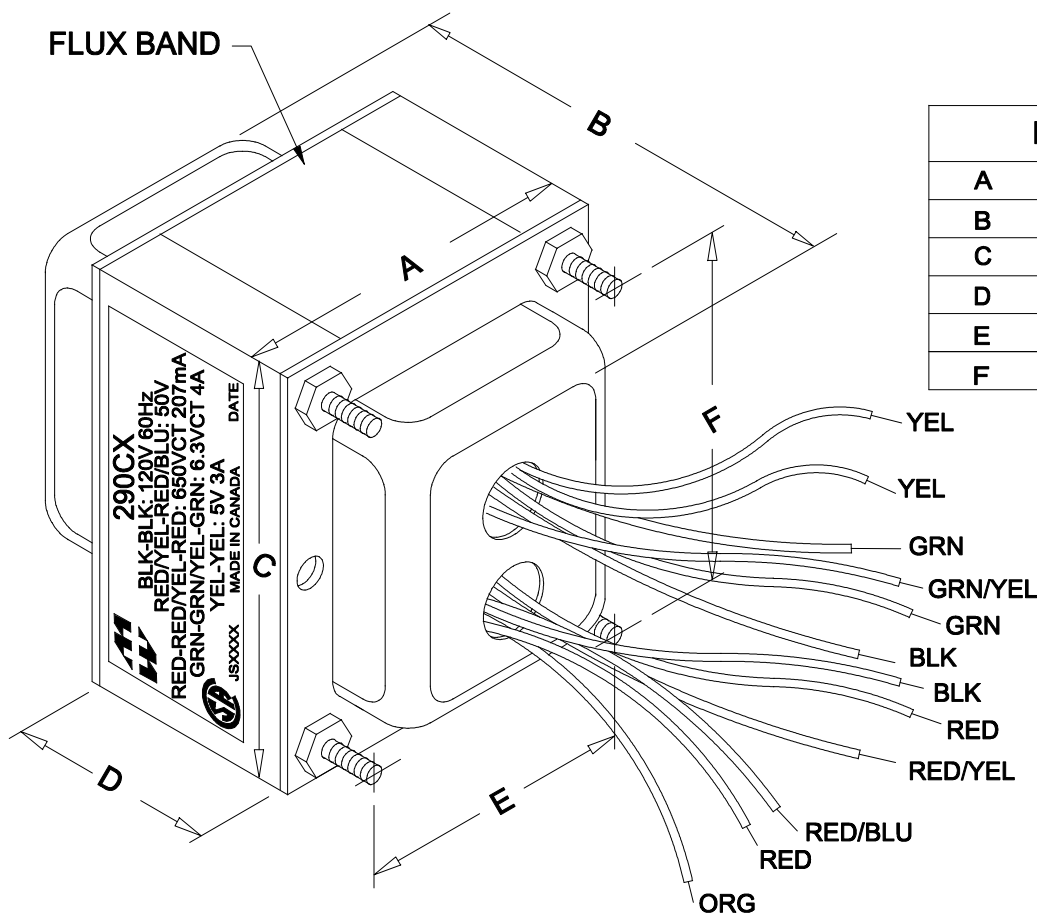


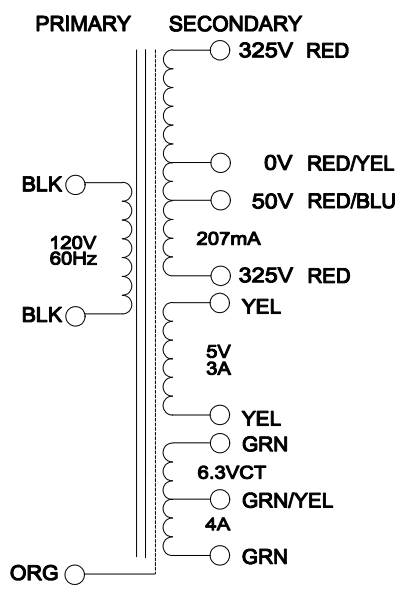
290CX



DIMENSIONS:	
A	3.125" ± 0.063
B	4.063" ± 0.125
C	3.750" ± 0.063
D	1.975" ± 0.063
E	2.500" ± 0.063
F	3.125" ± 0.063

290CX
 BLK-BLK: 120V 60Hz
 RED/YEL-RED/BLU: 50V
 RED-RED/YEL-RED: 650VCT 207mA
 GRN-GRN/YEL-GRN: 6.3VCT 4A
 YEL-YEL: 5V 3A
 DATE
 JS0000X
 MADE IN CANADA

NOTE: ALL LEADS 9" OUT MIN., STRIPPED .5"



ELECTRICAL DATA:	
Turns ratio:	1 : 5.96 (RED - RED)
Exciting Current	@ 120V, 60Hz, BLK - BLK = 258mA Max.
DCR	@ 20C, BLK - BLK = 1.539 Ω ±20%
	@ 20C, RED - RED = 83.99 Ω ±20%
	@ 20C, YEL - YEL = 0.041 Ω ±20%
	@ 20C, GRN - GRN = 0.054 Ω ±20%
	Pri. Voltage
Sec. Voltage (RMS)	650VCT @ 207mA C/W 50V TAP, 5V @ 3A / 6.3VCT @ 4A
No Load Voltage	715.18VCT/ 5.30V / 6.75V

HAMMOND ELECTRONICS
 52 RANKIN PLACE,
 WATERLOO, ONTARIO, N2L 3Z5.
 PHONE (519) 886-6181
 FAX # (519) 886-9540

TITLE		290CX		290CX
2	08/11/09	Updated Electrical Data	I.P. DR BY IOAN POP	
1	05/12/09	PRELIMINARY	I.P. DATE 07/04/08	
NO	DATE	REVISION	DIM IN(X)MM()	