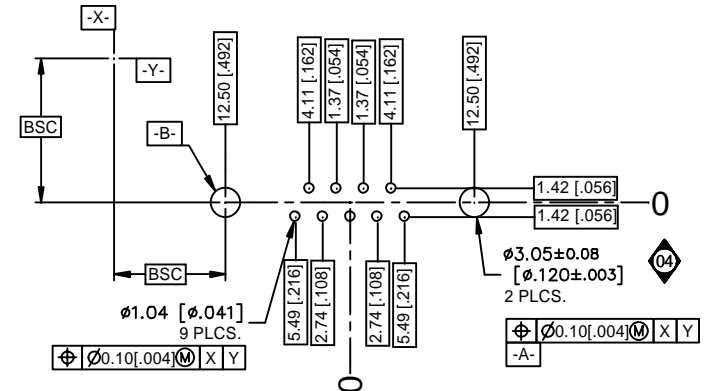
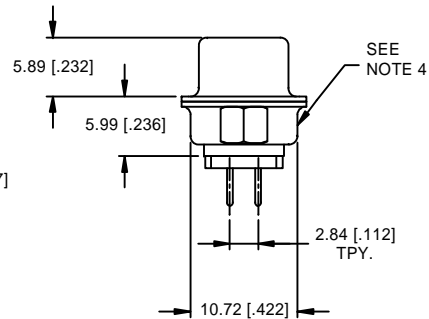
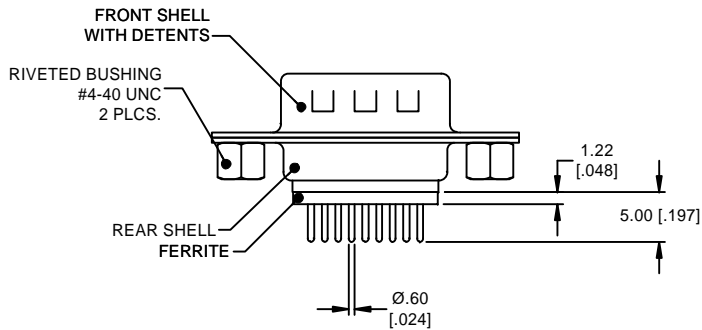
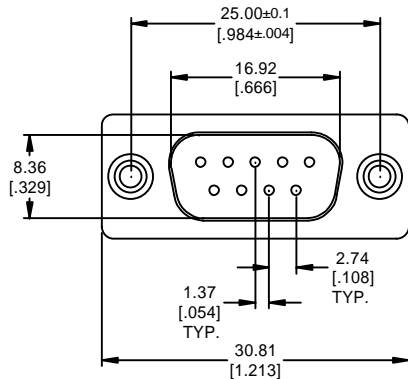


NOTES:

- MATERIAL
 HOUSING : PBT, GLASS FILLED, UL RATED 94V-0, BLACK
 FRONT SHELL: CARBON STEEL
 CONTACTS AND BUSHINGS: BRASS
- FINISH
 FRONT SHELL: TIN PLATED.
 CONTACTS: GOLD FLASH IN MATING AREA OVER 2.54 um [.000100] MIN
 NICKEL ON ENTIRE CONTACT AREA.
 BUSHINGS: NICKEL PLATED
- ELECTRICAL SPECIFICATION:
 10-17 OHMS AT 30 MHz. TYP.
 12-19 OHMS AT 50 MHz. TYP.
 15-24 OHMS AT 100 MHz. TYP.
- SCI, 56-407-001 AND DATE CODE MARKED ON THIS SURFACE.



P.C. BOARD MOUNTING DIMENSIONS

			04		REV. NO.	UNLESS OTHERWISE SPECIFIED DIMENSIONS ARE IN MILLIMETERS. [INCHES] DO NOT SCALE.	TOLERANCES UNLESS OTHERWISE SPECIFIED Dec. .x ± 0.3 [.012] Dec. .xx ± 0.13 [.005] Dec. .xxx ± Angles ±	SPECTRUM CONTROL INC.	FAIRVIEW PENNSYLVANIA			
			CN 36555-ENG	03	CHANGE NOTICE					Code Ident. No. 0LSP2	Dwn. P. Wells	PLUG ASSEMBLY 9 POSITION, VERTICAL MNT.
			CN 34916-CPD	02						Date 8-16-07	Engr. D. Henry	
			CN 196177							Sheet 1 of 1	56-407-001	

Quality Products From The Specialists In Electro-Magnetic Compatibility

