

Apr.1.2017 Copyright 2017 HIROSE ELECTRIC CO., LTD. All Rights Reserved.

COUNT	DESCRIPTION OF REVISIONS	BY	CHKD	DATE	COUNT	DESCRIPTION OF REVISIONS	BY	CHKD	DATE
△				..	△				..
△				..	△				..
△				..	△				..

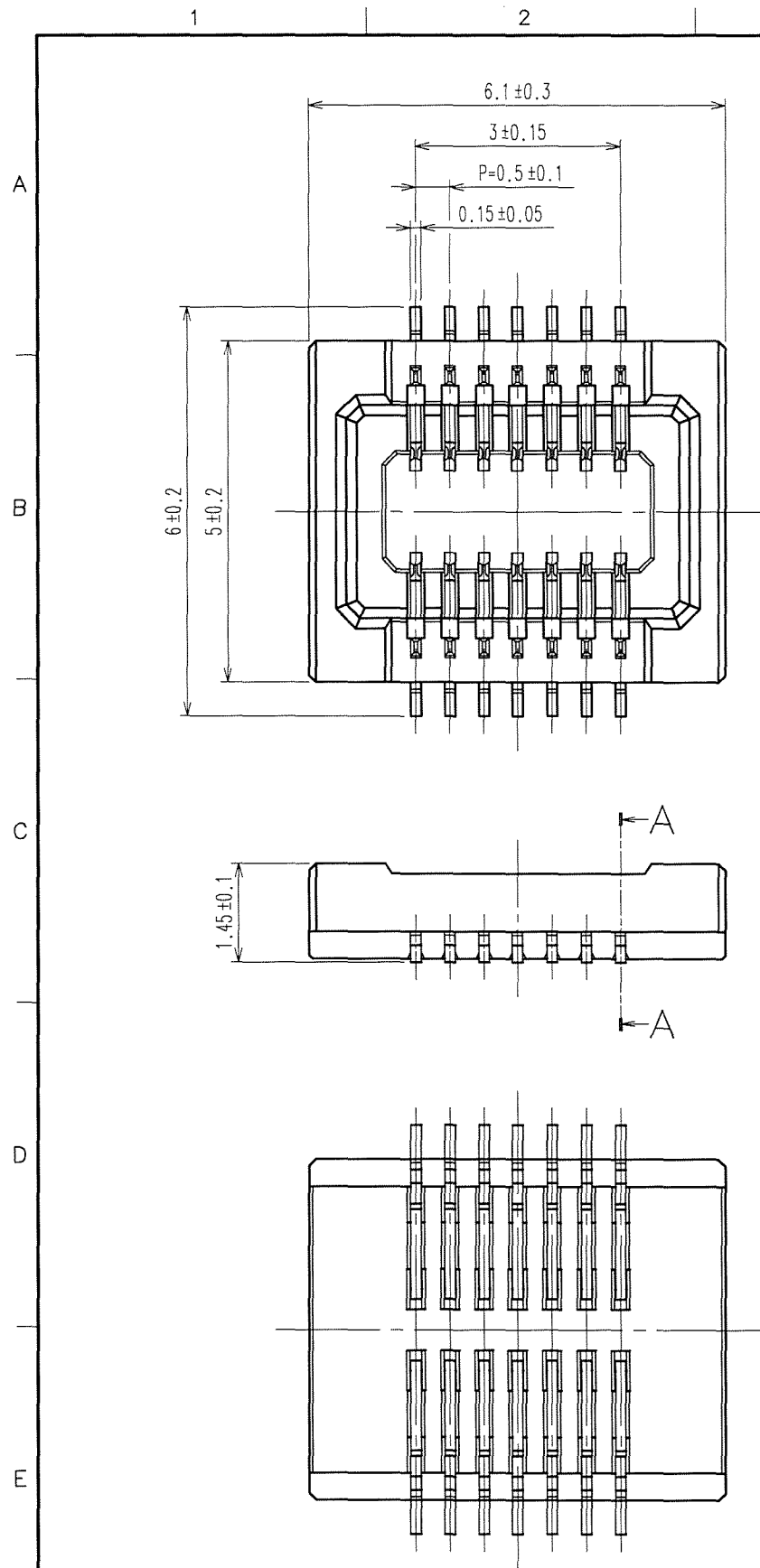


Fig.1 : RECOMMENDED PATTERN

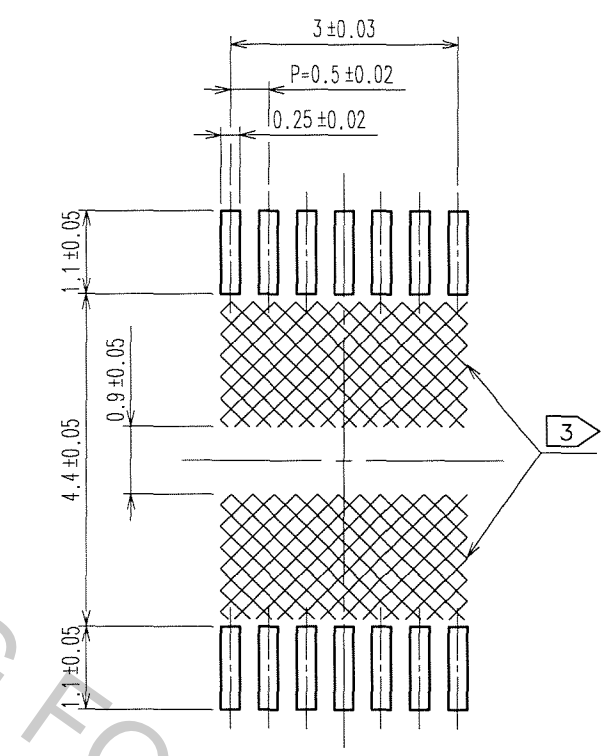


Fig.2 : A-A CROSS SECTION VIEW

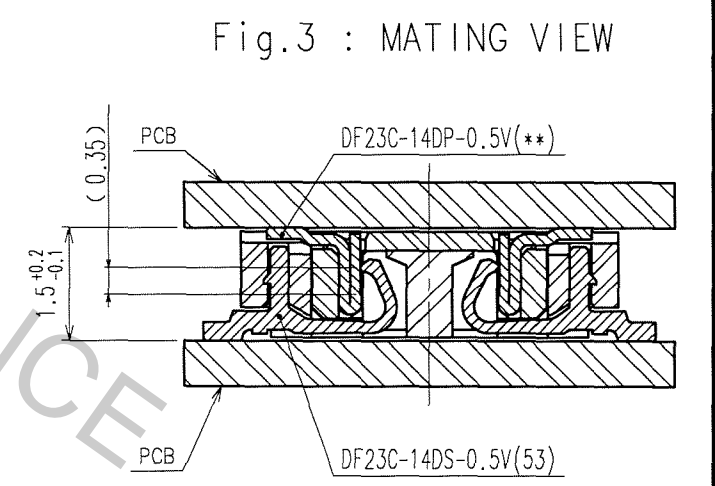
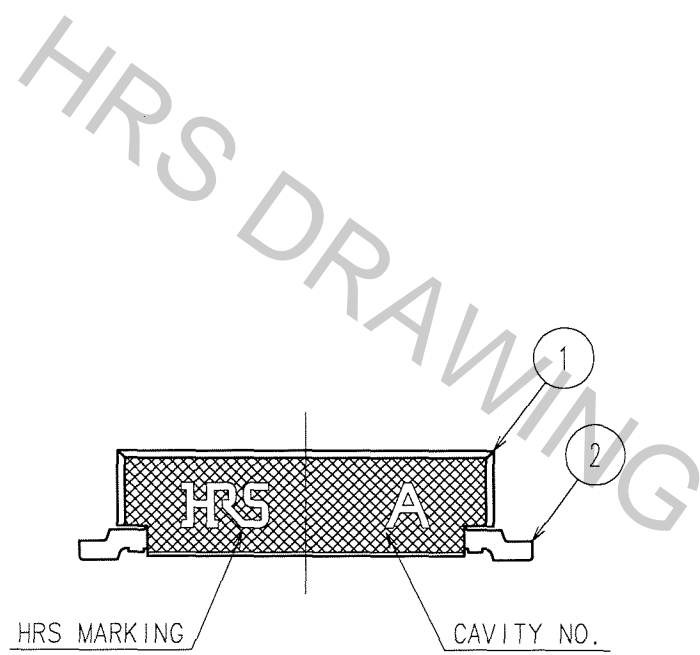


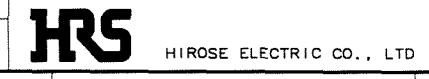
Fig.3 : MATING VIEW



- NOTES
- LEAD CO-PLANARITY SHALL BE 0.1mm MAX.
  - PLATING  
 CONTACT AREA : GOLD 0.1μm MIN.  
 LEAD AREA : GOLD 0.02μm MIN.  
 UNDER PLATING : NICKEL 1μm MIN.
  - WHEN A PART MARKED WITH HAS A PATTERN BUT NO RESIST ON IT, TAKE CARE TO PREVENT THE CONNECTOR FROM TOUCHING IT.
  - THE DIMENSIONS IN PARENTHESES ARE FOR REFERENCE.

TO

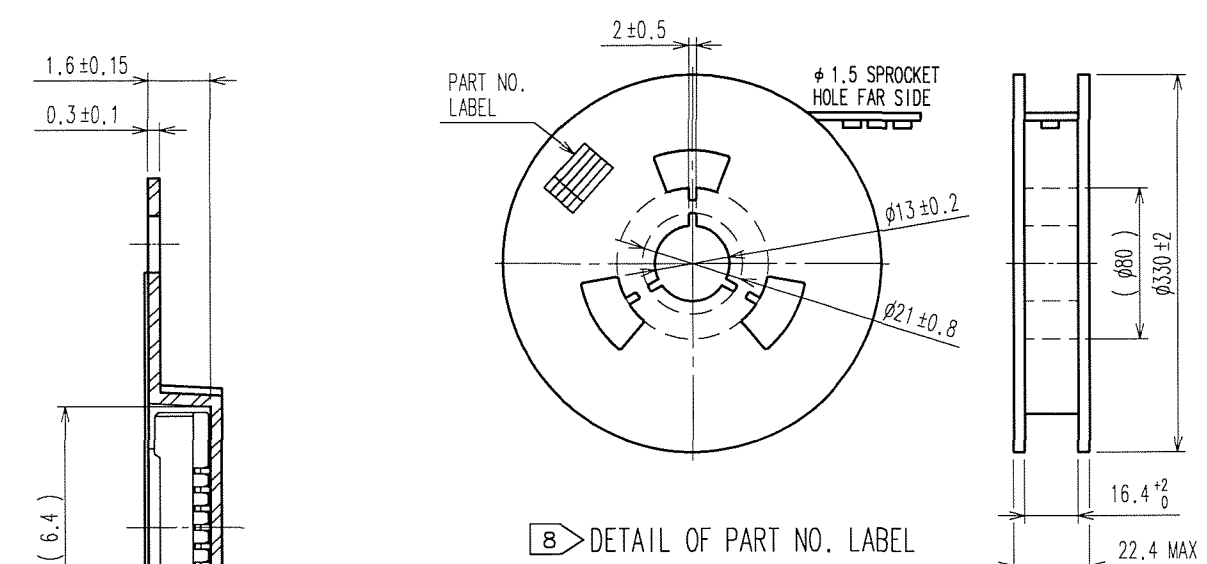
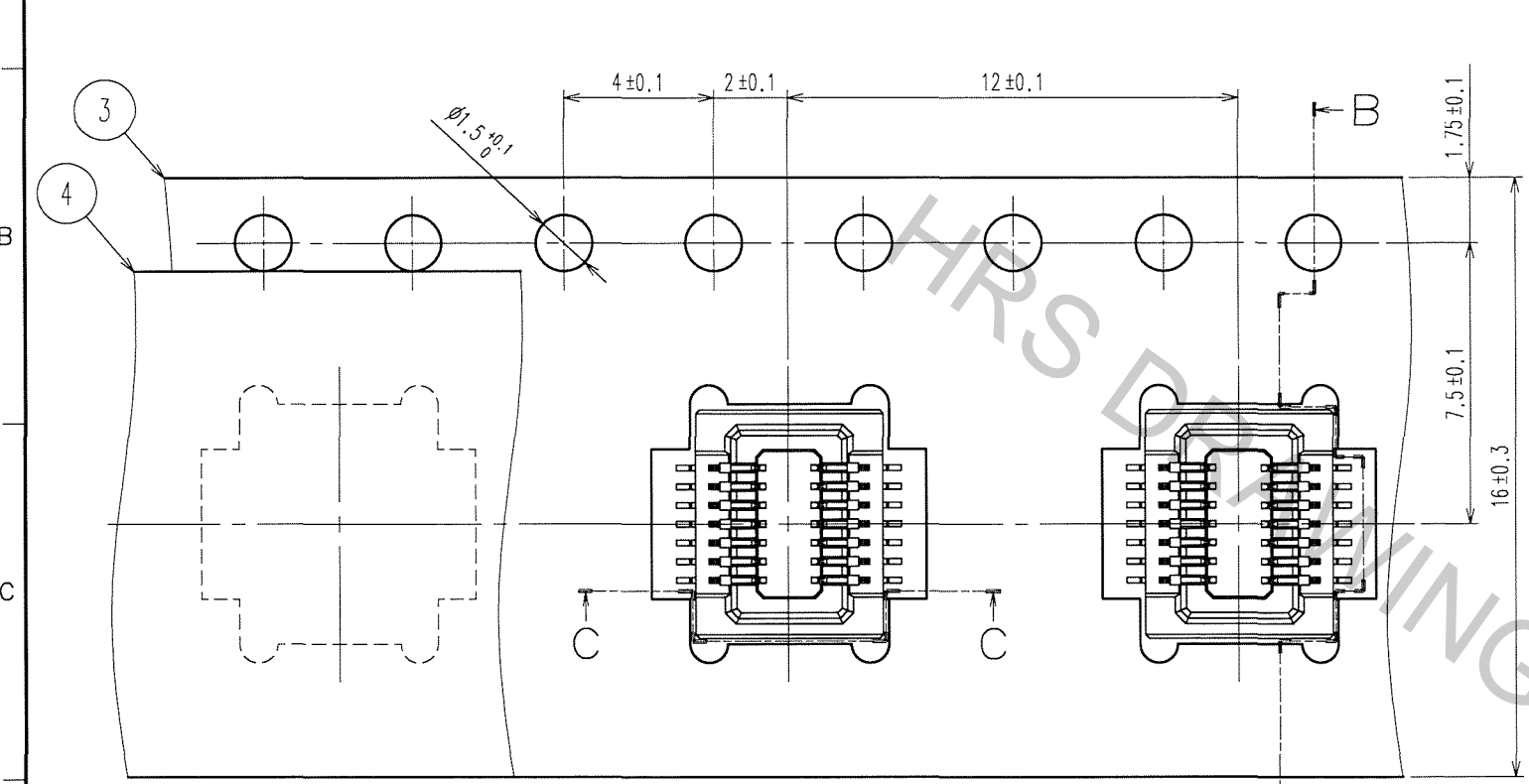
2	PHOSPHOR BRONZE		4	POLYESTER	CLEAR(COVER TAPE)
1	LCP	BLACK,UL94V-0	3	PS	CLEAR(EMBOSSD CARRIER TAPE)
NO.	MATERIAL	FINISH, REMARKS	NO.	MATERIAL	FINISH, REMARKS
CODE NO. (OLD)			DRAWN	DESIGNED	CHECKED
			A.Aoyagi	T.Yamanoto	T.Miyagaki
			'07. 6. 6	07. 6. 6	07.06.06
			APPROVED	RELEASED	
			M.Hokamura		
			07.06.07		
DRAWING NO.			PART NO.		
EDC3-163721-02			DF23C-14DS-0.5V(53)		
SCALE			CODE NO.		
10 : 1			CL688-0300-2-53		
UNITS			1/2		
mm					



Apr.1.2017 Copyright 2017 HIROSE ELECTRIC CO., LTD. All Rights Reserved.

5					6					7					8				
COUNT	DESCRIPTION OF REVISIONS				BY	CHKD	DATE	COUNT	DESCRIPTION OF REVISIONS				BY	CHKD	DATE				

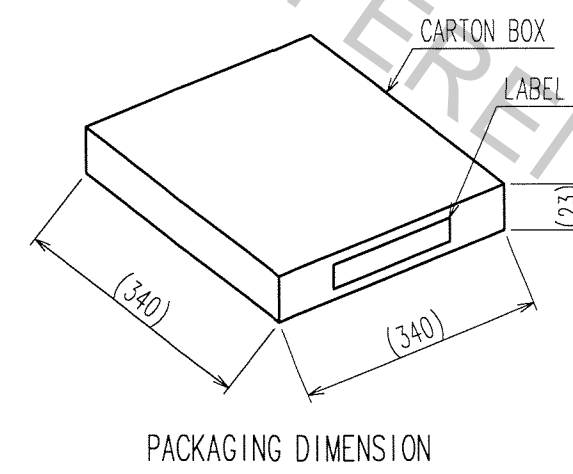
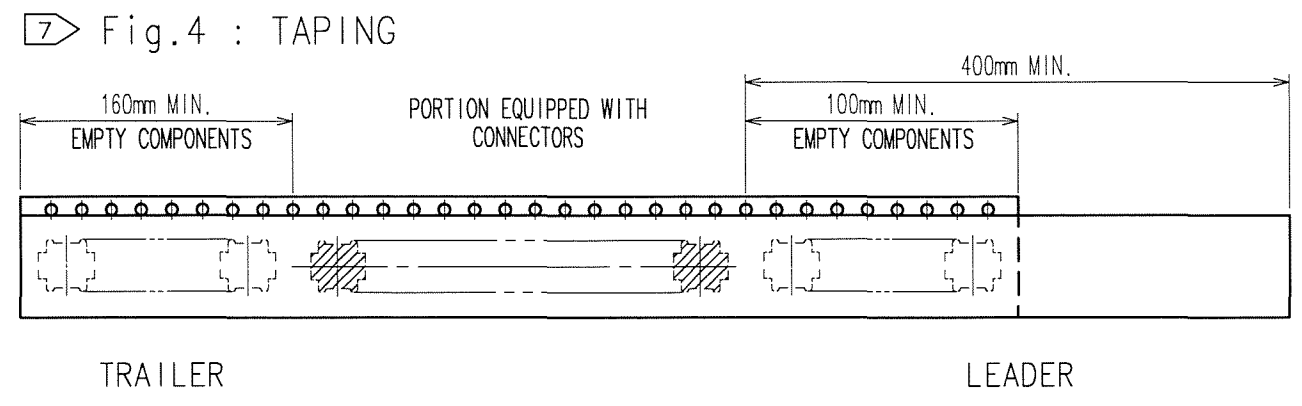
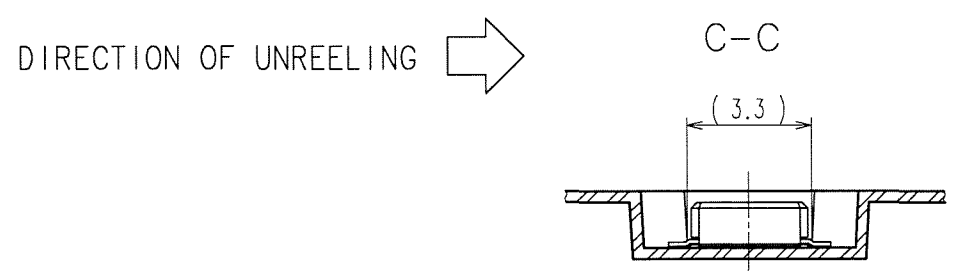
B-B Fig.5 : STYLE AND DIMENSIONS OF REEL(FREE)



DETAIL OF PART NO. LABEL

DATE OF MANUFACTURED	** ** *
CODE NO.	CL688-0300-2-53
PART NO.	DF23C-14DS-0.5V(53)
QUANTITY	3000
SUPPLIER	HIROSE ELECTRIC CO.,LTD.

Fig.6 : PACKAGING SPECIFICATION (FREE)



DETAIL OF LABEL

CODE NO.	NUMBER OF REELS PER BOX	品名	688-0300-2-53	数量	1RL
PART NO.	DF23C-14DS-0.5V(53)	数量	3000 個	QTY	3000 個
PART NO.	NUMBER OF PRODUCTS PER REEL				

NOTES  
 5 PER REEL 3000 CONNECTORS  
 6 THE DIMENSIONS IN PARENTHESES ARE FOR REFERENCE  
 7 REFER TO JIS C 0806 (PACKAGING OF COMPONENTS FOR AUTOMATIC HANDLING)  
 8 DETAIL OF PART NO. LABEL IS WRITTEN IN JAPANESE.

CODE NO. (OLD)	DRAWN A. Aoyagi '07. 6. 6	DESIGNED J. Yamamoto '07. 6. 6	CHECKED T. Mizogaki '07. 06. 06	APPROVED M. Nakamura '07. 06. 07	RELEASED
SCALE 5 : 1	DRAWING NO. EDC3-163721-02		PART NO. DF23C-14DS-0.5V(53)		
UNITS mm	HRS HIROSE ELECTRIC CO., LTD		CODE NO. CL688-0300-2-53		2

TO