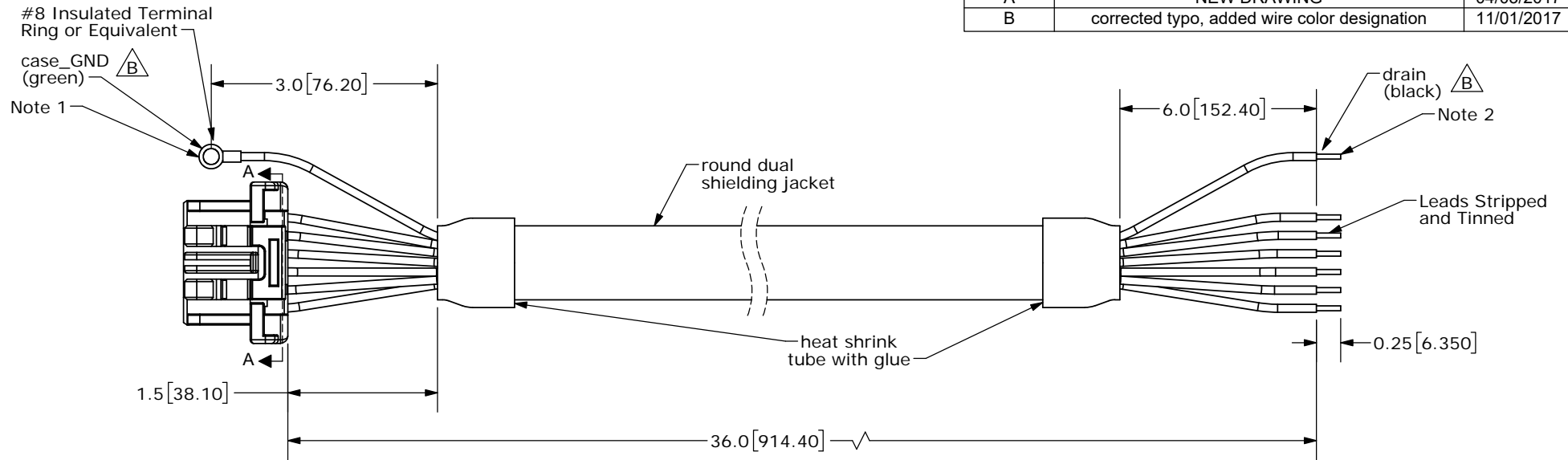
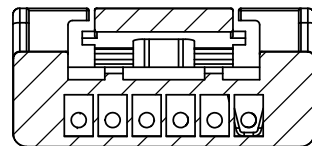


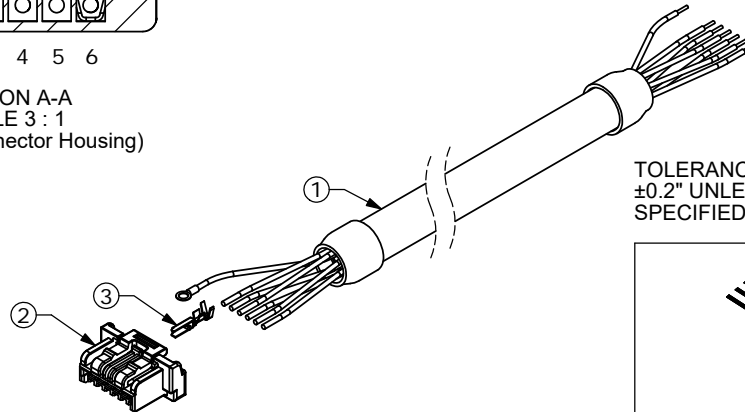
REV.	DESCRIPTION	DATE
A	NEW DRAWING	04/03/2017
B	corrected typo, added wire color designation	11/01/2017



Connector Pinout			
#	Function	Color	
		Primary	Stripe
1	+5 V	White	Green
2	B	Blue	White
3	A	White	Blue
4	GND	Green	White
5	TBIT	Orange	White
6	MCLR_CS	White	Orange



SECTION A-A  
SCALE 3 : 1  
(Back of Connector Housing)



TOLERANCE:  
±0.2" UNLESS OTHERWISE  
SPECIFIED



NOTES 1: case\_GND (green) is connected internally to GND (green/white)  
2: drain (black) connected internally to cable shielding

**CUI INC**

20050 SW 112th Ave.  
Tualatin, OR 97062  
Phone: 503-612-2300  
800-275-4899  
Fax: 503-612-2383  
Website: www.cui.com

ITEM NO:	977-7137R	REV:	B
PART NO.	AMT-06C-1-036	UNITS:	INCHES [MM]
DRAWN BY:	RDS	APPROVED BY:	
SCALE:			

	Part	QTY	Part#
1	Cable	1	Belden 8103
2	Connector	1	Molex 502578-0600
3	Crimp Pins	6	Molex 5025791000

PC FILE NAME:  
AMT-06C-1-036

COPYRIGHT 2017 BY CUI INC.