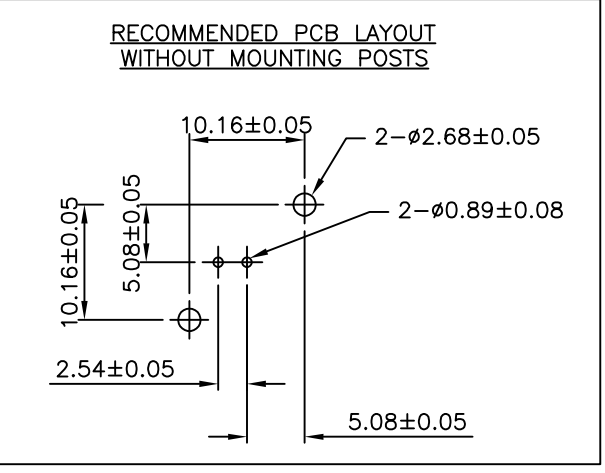
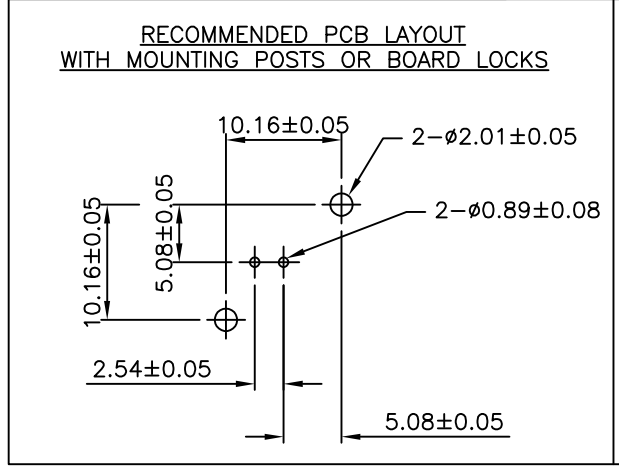
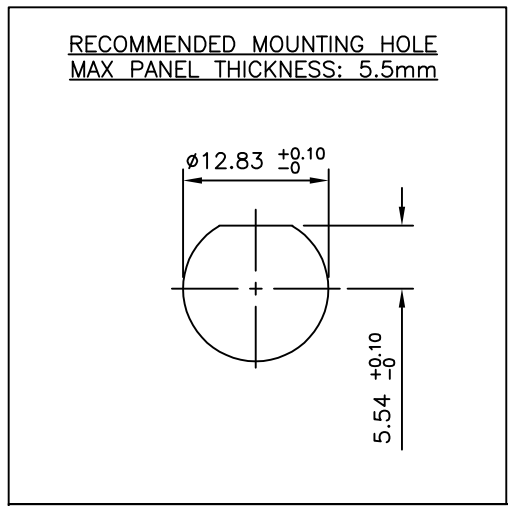
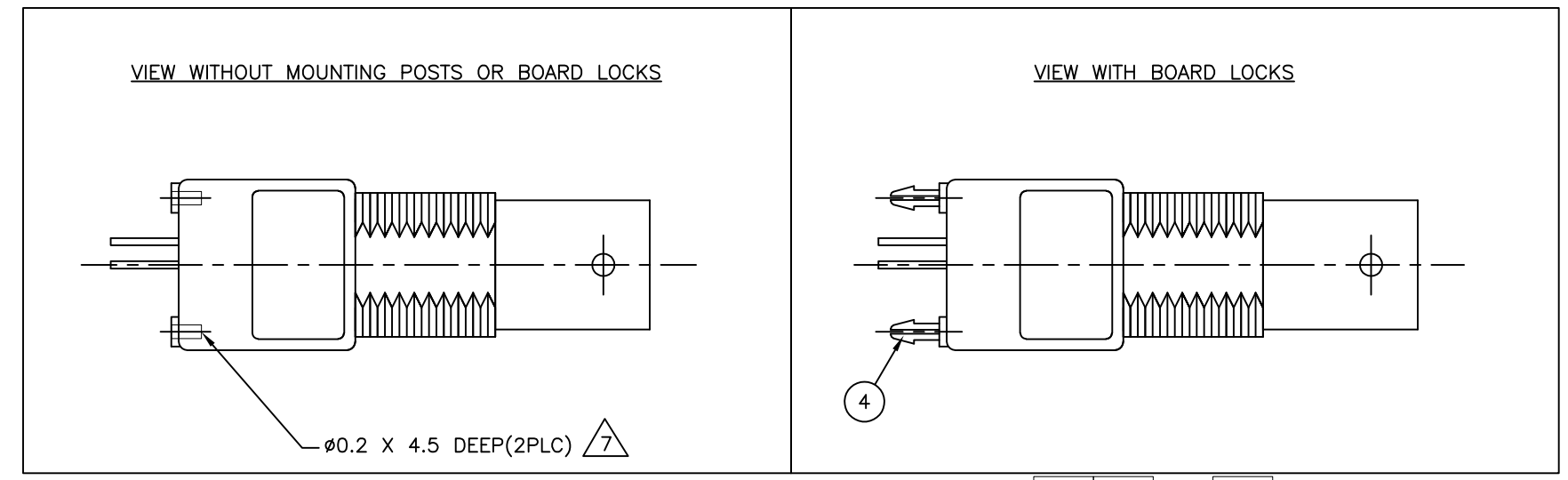
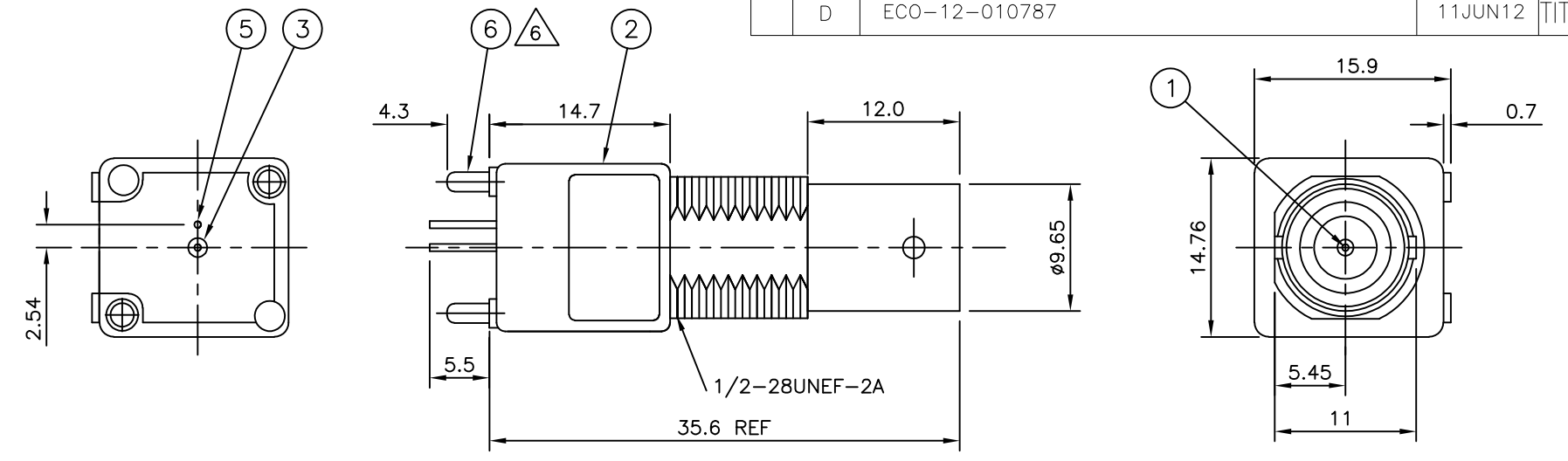


THIS DRAWING IS UNPUBLISHED. RELEASED FOR PUBLICATION MAY , 2006.
 © COPYRIGHT 2006 By - ALL RIGHTS RESERVED.

LOC	DIST	REVISIONS			
P	LTR	DESCRIPTION	DATE	DWN	APVD
E	B	C	ECO-09-003420	09 Mar 09	RITA BOB
		D	ECO-12-010787	11JUN12	TITAN MARTIN

- NOTES:**
- ① SINGLE PACK IN ACCORDANCE WITH AMP SPEC 107-3275
 - ② 50 TRAY PACK IN ACCORDANCE WITH AMP SPEC 107-3275
 - ③ Au PLATING
 - ④ Ni PLATING
 - ⑤ TIN PLATING
 - ⑥ MOUNTING POSTS ARE OPTIONAL SEE TABLE FOR PART NUMBERS
 - ⑦ RECOMMENDED SELF-TAPPING SCREW 221108-4
 - 8 RECOMMENDED MOUNT NUT 1-1634816-0
 - 9 RECOMMENDED LOCKWASHER 1-1634817-0
 - 10 FOR TECHNICAL DATA REFER TO YOUR LOCAL TYCO ELECTRONICS SALES OFFICE
 - 11 ALL DIMENSIONS ARE NOMINAL FOR REFERENCE ONLY UNLESS OTHERWISE STATED



		OBSOLETE	OBSOLETE		OBSOLETE					
	-	-	-	-	2	2	PHOS. BRONZE	Ⓜ	MOUNTING POST	6
	1	1	1	1	1	1	COPPER	Ⓜ	SOLDER TAIL	5
	-	-	2	2	-	-	PHOS. BRONZE	Ⓜ	BOARD LOCK	4
	1	1	1	1	1	1	PE-606		INSULATOR	3
	1	1	1	1	1	1	ZINC ALLOY	Ⓜ	BODY	2
	1	1	1	1	1	1	PHOS. BRONZE	Ⓜ	CONTACT	1
	6--2	1--2	6--1	1--1	6--0	1--0	MATERIAL		DESCRIPTION	ITEM
	Ⓜ	Ⓜ	Ⓜ	Ⓜ	Ⓜ	Ⓜ				
QUANTITY PER ASSY							PARTS LIST			

THIS DRAWING IS A CONTROLLED DOCUMENT.

DWN RITA ZUO 09 Mar 09
 CHK ANSON MA 09 Mar 09
 APVD BOB ZHAO 09 Mar 09

STE TE Connectivity

NAME: BNC STRAIGHT SHIELDED PCB SOCKET
 75 OHM METAL

PRODUCT SPEC: 108-112000

APPLICATION SPEC: -

SIZE: A3 CAGE CODE: 00779 DRAWING NO: C-1634630 RESTRICTED TO: -

MATERIAL: SEE TABLE FINISH: - WEIGHT: -

CUSTOMER DRAWING SCALE: NTS SHEET: 1 OF 1 REV: D