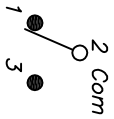


RECOMMENDED PCB LAYOUT

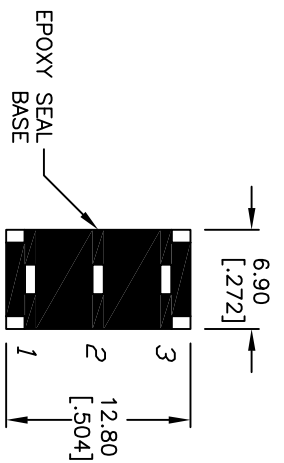
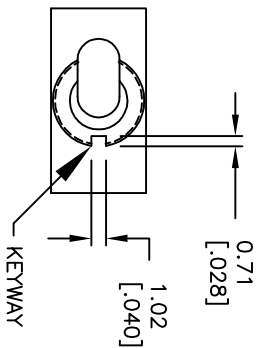


CIRCUIT: SPDT

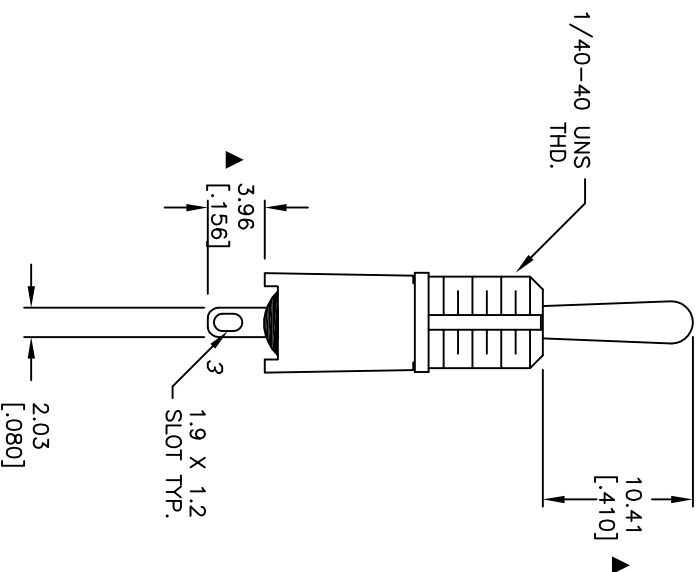
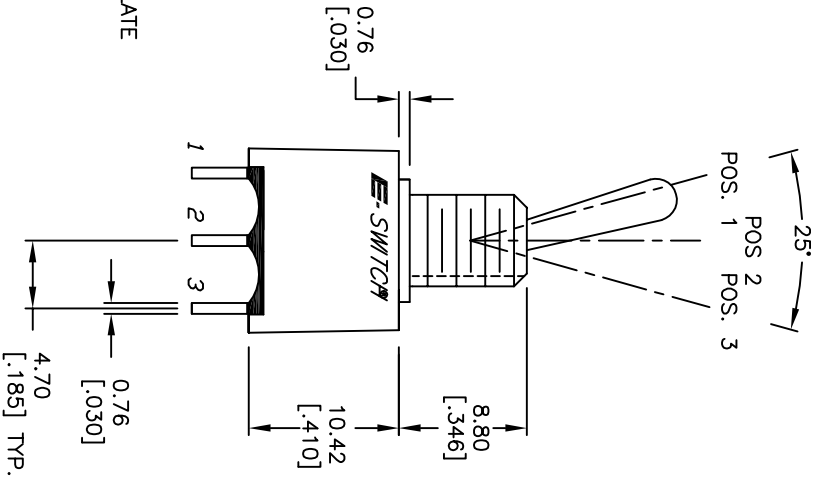
SWITCH FUNCTION		
POS. 1	POS. 2	POS. 3
2-3	OPEN	2-1

NOTES:

1. ALL DIMENSIONS IN MM [INCH]
2. GENERAL TOLERANCE: X.XX=±0.4
X.XXX=±0.25
3. TERMINAL NUMBERS FOR REF ONLY
4. RATING: 0.4 VOLT-AMPS MAX. @ 20V MAX AC OR DC
5. FIXED TERM. & MOVING CONTACT:
COPPER ALLOY W/GOLD PLATE OVER NICKLE PLATE
6. ELECTRIC LIFE: 40,000 MAKE-AND-BREAK CYCLES AT FULL LOAD.
7. INSULATION RESISTANCE: 1,000 MEGA-OHM MIN.
8. DIELECTRIC STRENGTH: 1,000 V RMS @SEA LEVEL.
9. OPERATING TEMP.: -30°C TO 85°C
10. ▲ DENOTES CRITICAL PARAMETER.
11. 2002/95/EC (ROHS) COMPLIANT
12. HARDWARE TO BE SUPPLIED BULK:
T100011-LOCK WASHER QTY-1
T100015-LOCK RING QTY-1
T100000-HEX NUT QTY-2



BOTTOM VIEW



E-SWITCH

100AWSP5T1B1M1REH

TITLE

SCALE

2:1

DATE

10/25/07

DR

BF

DWG

ST105006

REV

B

THE INFORMATION CONTAINED IN THIS DOCUMENT IS PROPRIETARY TO E-SWITCH AND IS NOT TO BE COPIED OR TRANSFERRED

REV.	ECN No.	DESCRIPTION	DATE	CHKD
B	17803	CHANGED BUSHING DIMENSION	10/25/07	BF
A	17696	RELEASED FOR PRODUCTION	9/16/07	BF