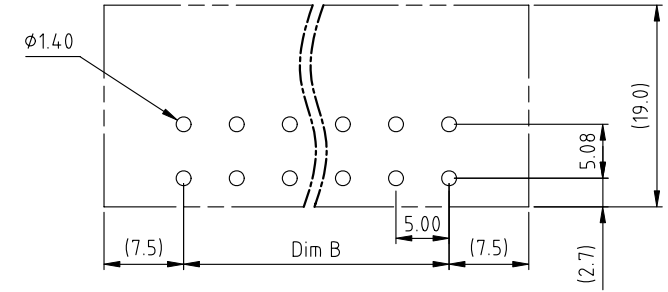
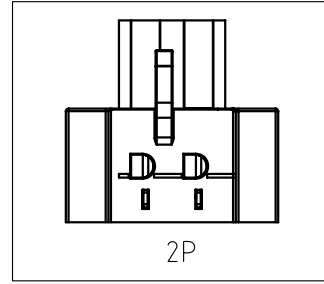
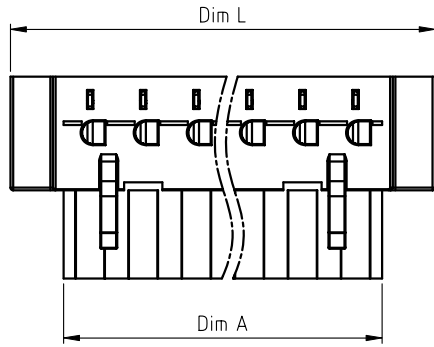
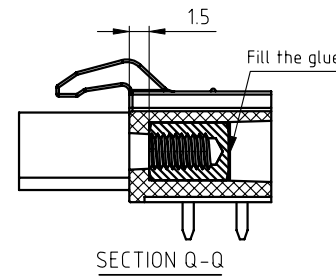
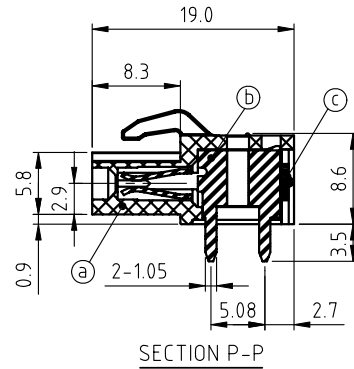
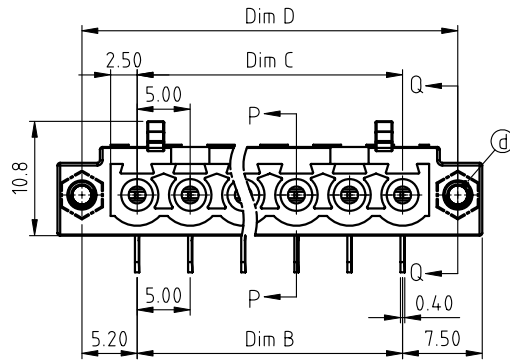


PRODUCT NUMBER	PITCH
V7xx72x100J0G	5.00 mm



RECOMMENDED P.C.B LAYOUT
TOP VIEW



SECTION Q-Q

Material:

- Item (a) Terminal housing: Thermoplastic (UL94V-0)
- Item (b) Female contact: PhBz(CuSn), Tin plated
- Item (c) Terminal cover: Thermoplastic (UL94V-0)
- Item (d) Flange Nut: Brass M2.5

Electrical cULus

- Voltage rating: 300VAC
- Current rating: 10A
- Withstanding Voltage: 1.6kv
- Operating temperature: -40°C to +115°C
- Soldering temperature: 260°C±5°C/5 Sec
- Safety Approval:

N=Number of poles
 Dim L=N×5.0+10.0
 Dim A=N×5.0
 Dim B=(N-1)×5.0
 Dim C=(N-1)×5.0
 Dim D=(N-1)×5.0+10.4

poles	Dim L	Dim A	Dim B	Dim C	Dim D
2-6p	±0.15	0	±0.15	±0.15	±0.15
7-12p	±0.20	-0.20	±0.20	±0.20	±0.20
13-18p	±0.30	0	±0.30	±0.30	±0.30
19-24p	±0.40	-0.30	±0.40	±0.40	±0.40

PART NO.: V7 xx 7 2 x 1 00J0 G

Solid block	0	Black (RAL9005)	RoHS compliant (lead<4%) In copper Alloy
No. of poles	2	Red (RAL3001/D)	
02 2poles	3	Orange(RAL2011/P)	
03 3poles	4	Yellow(RAL1018/A)	
...	5	Green(RAL6018/T)	
24 24poles	6	Blue (RAL5015/A)	
	8	Grey(RAL7035/D)	
	9	White(RAL1102)	
	C	Green(RAL6018/U)	

mat'l. code	surface ASME Y14.5	tolerance ASME Y14.5	projection	product family
ltr	ecn no	dr	date	TERMINAL BLOCK
				title
				TERMINAL BLOCK
				PLUGGABLE PCB PLUG, WITH FLANGE, RIGHT ANGLE
				scale
				dwg no
				sheet 1 of 1 size
				V7xx72x100J0G A4
				type
				CUSTOMER Drawing
sheet index	revision	A		
	sheet	1		