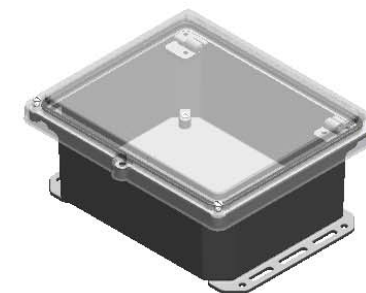
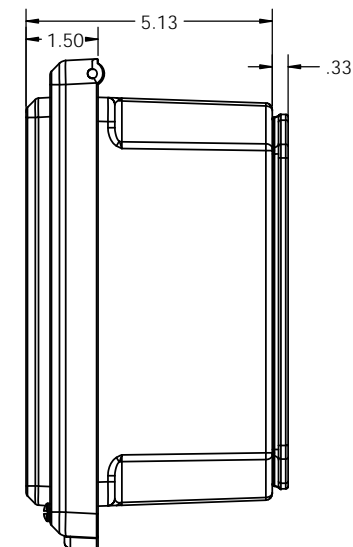
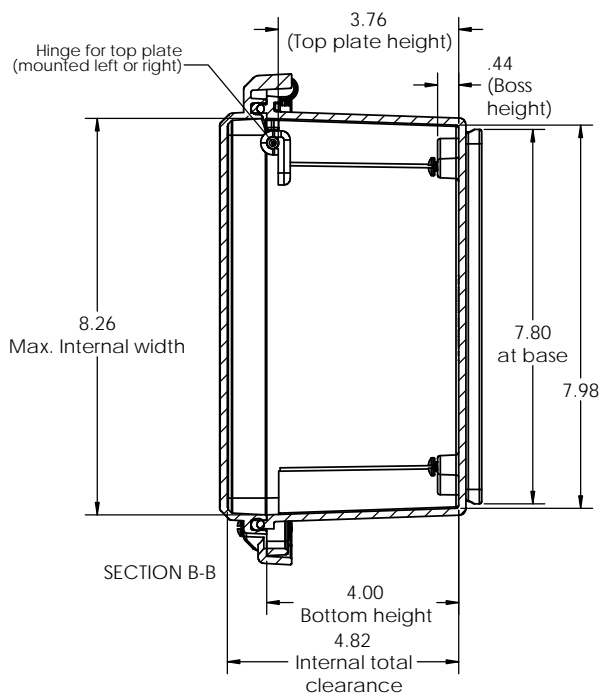
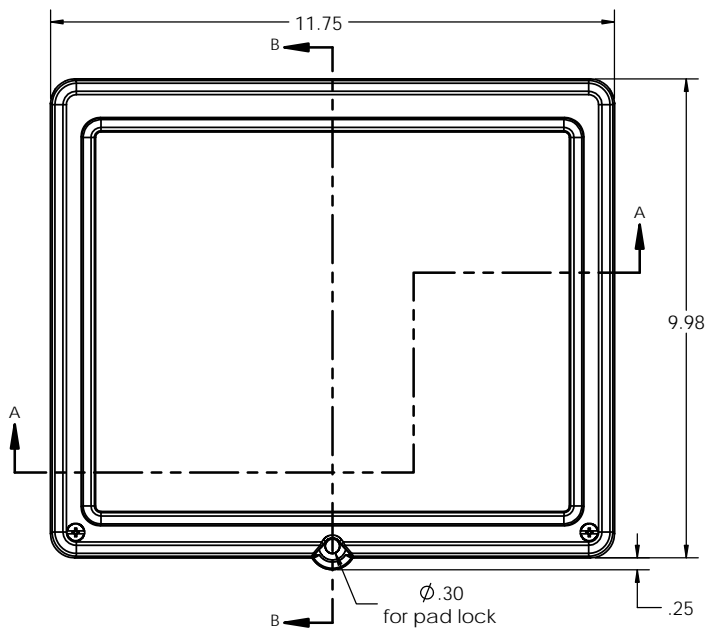
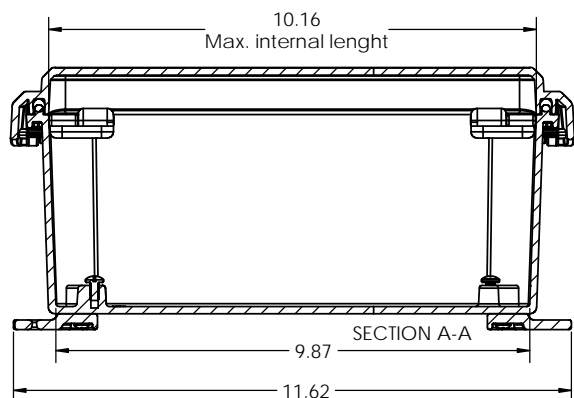


# SERPAC I342HS

Electronic Enclosures

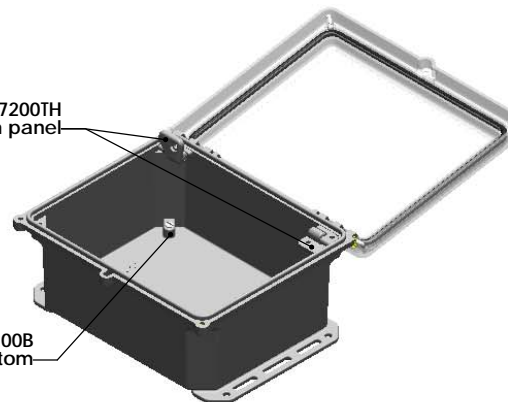


342HS with bottom rotating feet (4 included)



(2) Hinges for pn 7200TH hinged aluminum panel

(4) Bosses for pn 7200B aluminum panel for bottom



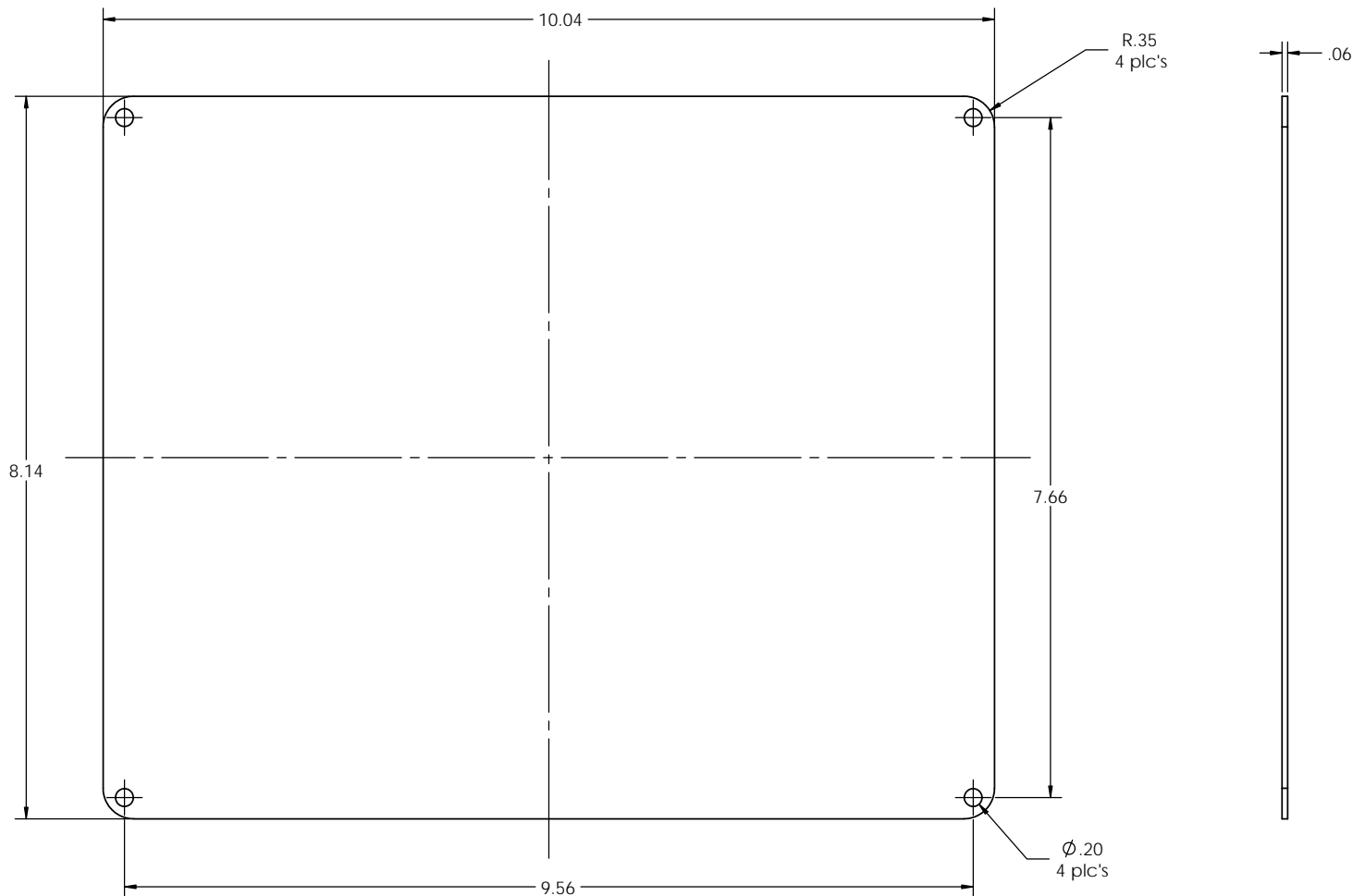
Open 342HS with bottom flanges (2 included) and 2 hinges for aluminum panel.

-Material: UV stabilized Polycarbonate  
Flammability UL 94 V-0  
-Watertight enclosure meets or exceeds Nema 4 and or IP67.

PARTS INCLUDED		
P/N	Qty.	Description
352HST	1	352 HS Top
340HLB	1	340 HL Bottom
8350	1	350 Perimeter O-ring
1304	2	Hinge pin
1305	2	350 Flange
1306	4	350 Feet
1307	2	350 Panel hinge pin
1308	1	350 Panel hinge A
1309	1	350 Panel hinge B
6028	4	SS #10 X 5/8" Pan H/L

ALL DIMENSIONS ARE ± .010" 5/24/13

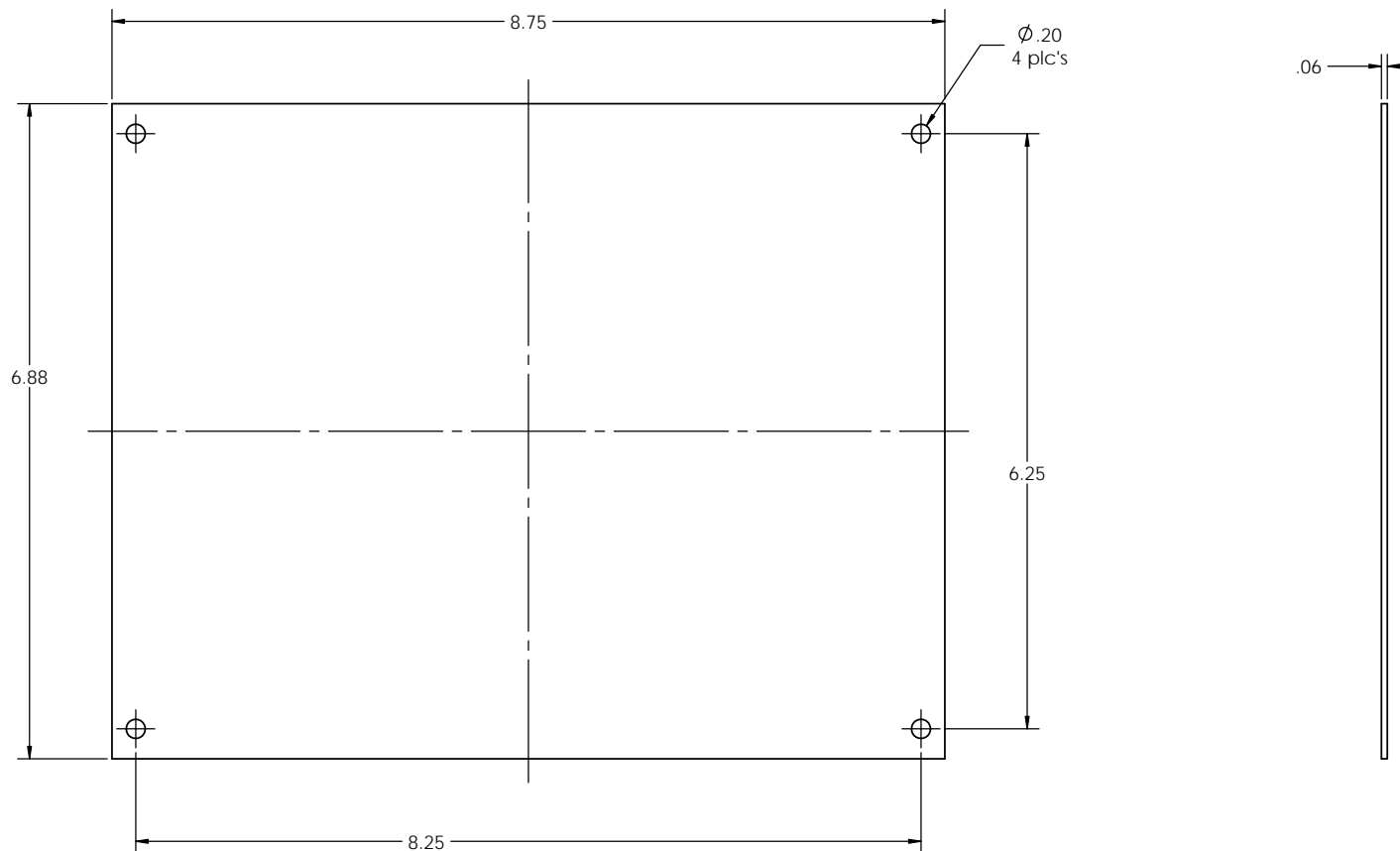
2009 Wright Ave. La Verne, CA 91750  
Ph. (626) 331-0517 Fx. (626) 331-8584 serpac.com



PARTS INCLUDED		
P/N	Qty.	Description
72040	1	Hinged top aluminum panel
6029	4	SS #10 X 3/8" Pan HL Screw

ALL DIMENSIONS ARE ± .010"

4/3/13



PARTS INCLUDED		
P/N	Qty.	Description
72000	1	Bottom aluminum panel
6029	4	SS #10 X 3/8" Pan HL Screw

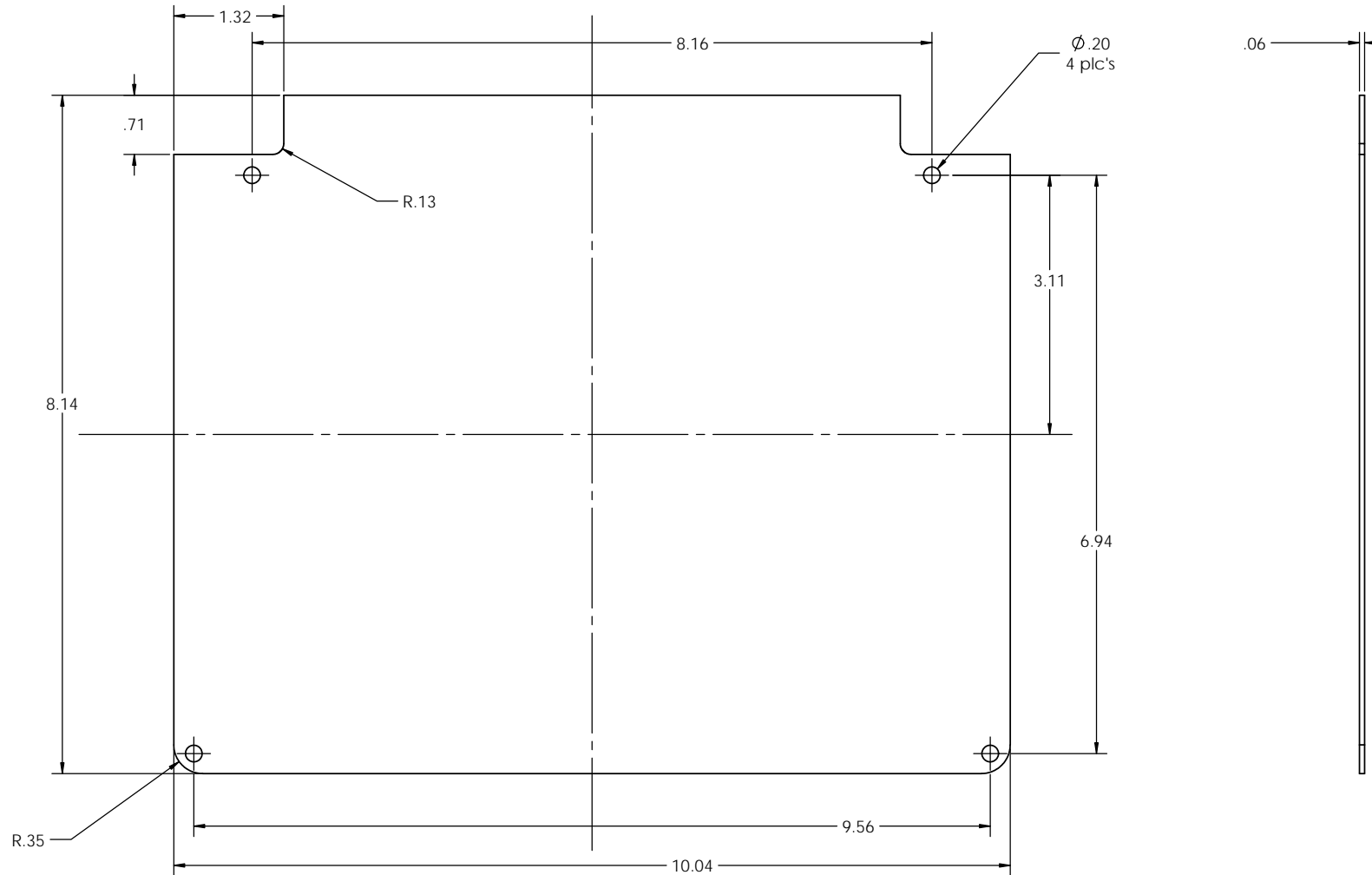
ALL DIMENSIONS ARE  $\pm .010"$

4/3/13

2009 Wright Ave. La Verne, CA 91750  
Ph. (626) 331-0517 Fx. (626) 331-8584 serpac.com

# 7200TH Panel Kit

Hinged top panel for 352HL, 342HL 352HS and 342HS



PARTS INCLUDED		
P/N	Qty.	Description
72020	1	Hinged top aluminum panel
6029	2	SS #10 X 3/8" Pan HL Screw
6030	2	SS #10 X 3/8" Pan Combo H/L Screw
6105	2	SS #10-32 X1/8" Nut

ALL DIMENSIONS ARE  $\pm .010"$

4/3/13