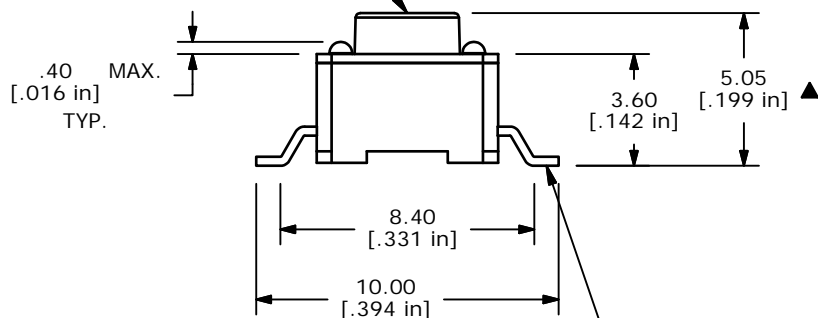
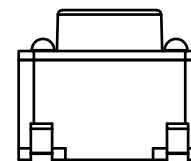


ISOMETRIC

▲ ACTUATOR COLOR:
BLACK



▲ ALL TERMINALS MUST BE
COPLANAR WITHIN 0.10 [.004]
TOTAL



- NOTES:
1. ALL DIMENSIONS IN MM
 2. GENERAL TOLERANCE: X.X=±0.4
X.XX=±0.25
 3. TERM. NOS. FOR REFERENCE ONLY.
 4. RATING: 50VDC, 50mA
 - ▲ 5. OPERATING FORCE: 160 ± 50 gms
 6. TRAVEL: 0.25mm +0.2/-0.1mm
 7. CONTACT RESISTANCE: 100 MILLI OHMS MAX. (INITIAL)
 8. MECHANICAL/ELECTRICAL LIFE 100,000 CYCLES MIN.
 - ▲ 9. SILVER CONTACTS
 - ▲ 10. PACKAGE: TAPE AND REEL, 1000 PIECES PER REEL
 11. ▲ DENOTES CRITICAL PARAMETER

E-SWITCH®

D	20881	Corrected position on 10.00 dim	11/14/12	rc
C	20772	REVISED AND REDRAWN	9/25/12	RC
REV	PCR NO	DESCRIPTION	DATE	BY

TITLE TL3301AF160QG				
SCALE	DATE	DR	DWG	REV
4:1	9/25/2012	rc	P010516	D

THE INFORMATION CONTAINED IN THIS DOCUMENT IS PROPRIETARY TO E-SWITCH AND IS NOT TO BE COPIED OR TRANSFERRED