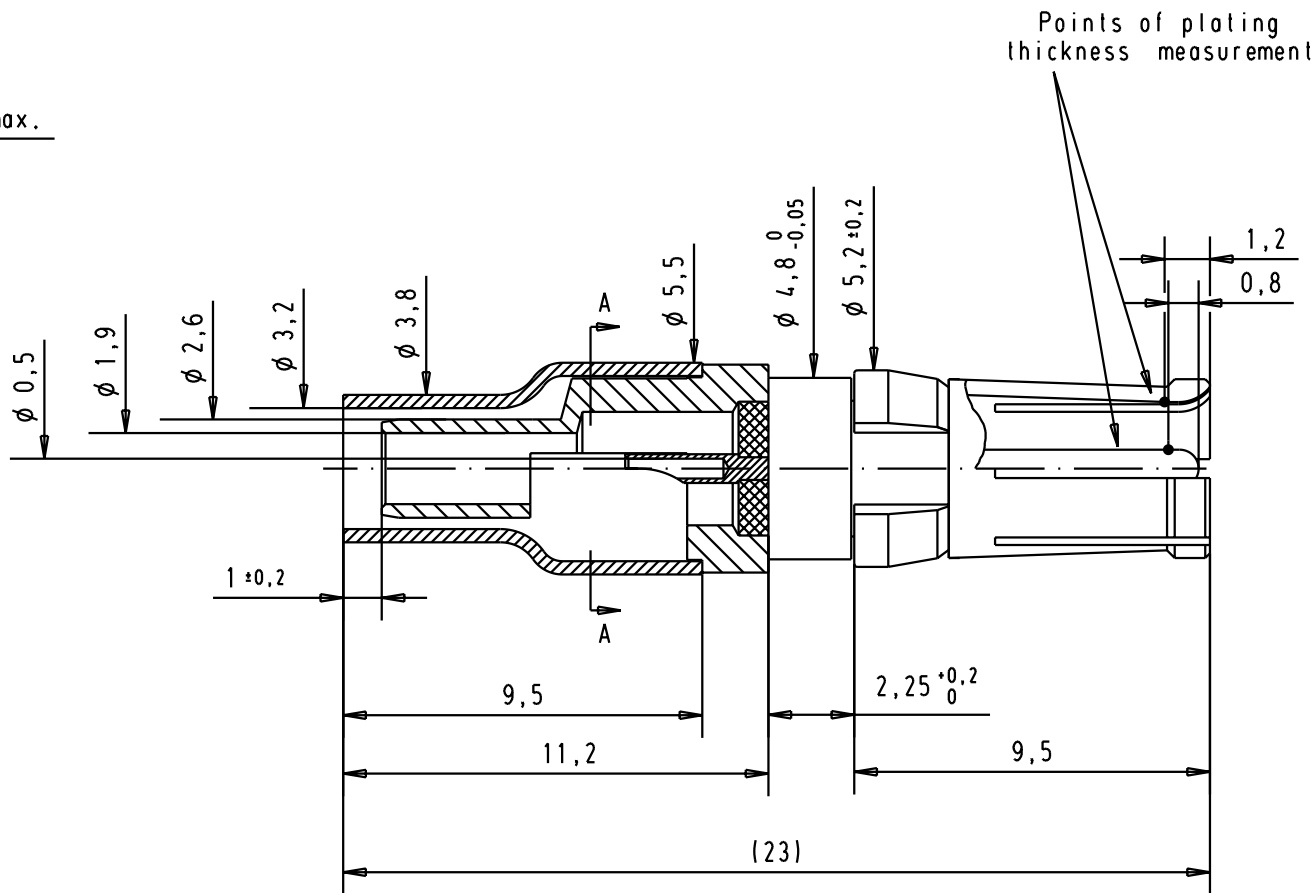
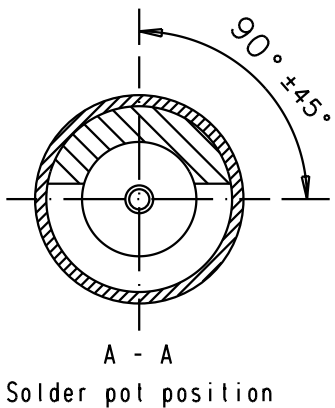
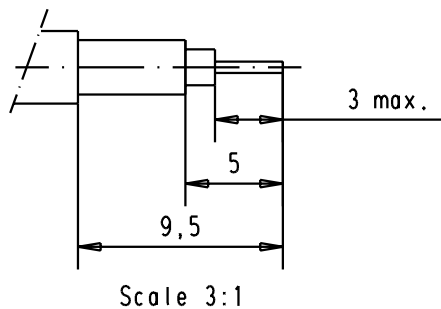


Harnessing dimensions for cables RG 179 BU, RG 187 AU



Crimping tool of outer conductor:
hand tool: 09 99 000 0503 00
die: 09 99 000 0508 00

A											Female coaxial contact, 75 Ohms, straight cable terminaiso inner conductor for solder termination, outer conductor for solder or crimp termination	Maßstab/ Scale 5:1
	09691817230	Mating area	0,2 µm Au	0,2 µm Au				Detail.	21-JUN-02	CV		
	09691815230	Termination area	5 µm Sn	0,2 µm Au			Insp.				TB 09 69 181 x230	Blatt/ Page 1 / 1
		Mating area	0,8 µm Au	1,3 µm Au			Stand.					
		Termination area	0,2 µm Au	1,3 µm Au	31057	21-JUN-02	CV				Sub.	
	Part number	Plating	outer conductor	inner conductor	Mod.	Dat.	Name					