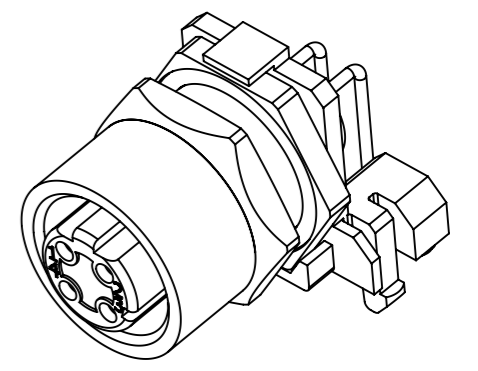
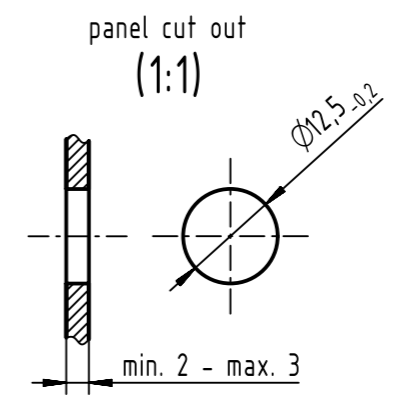
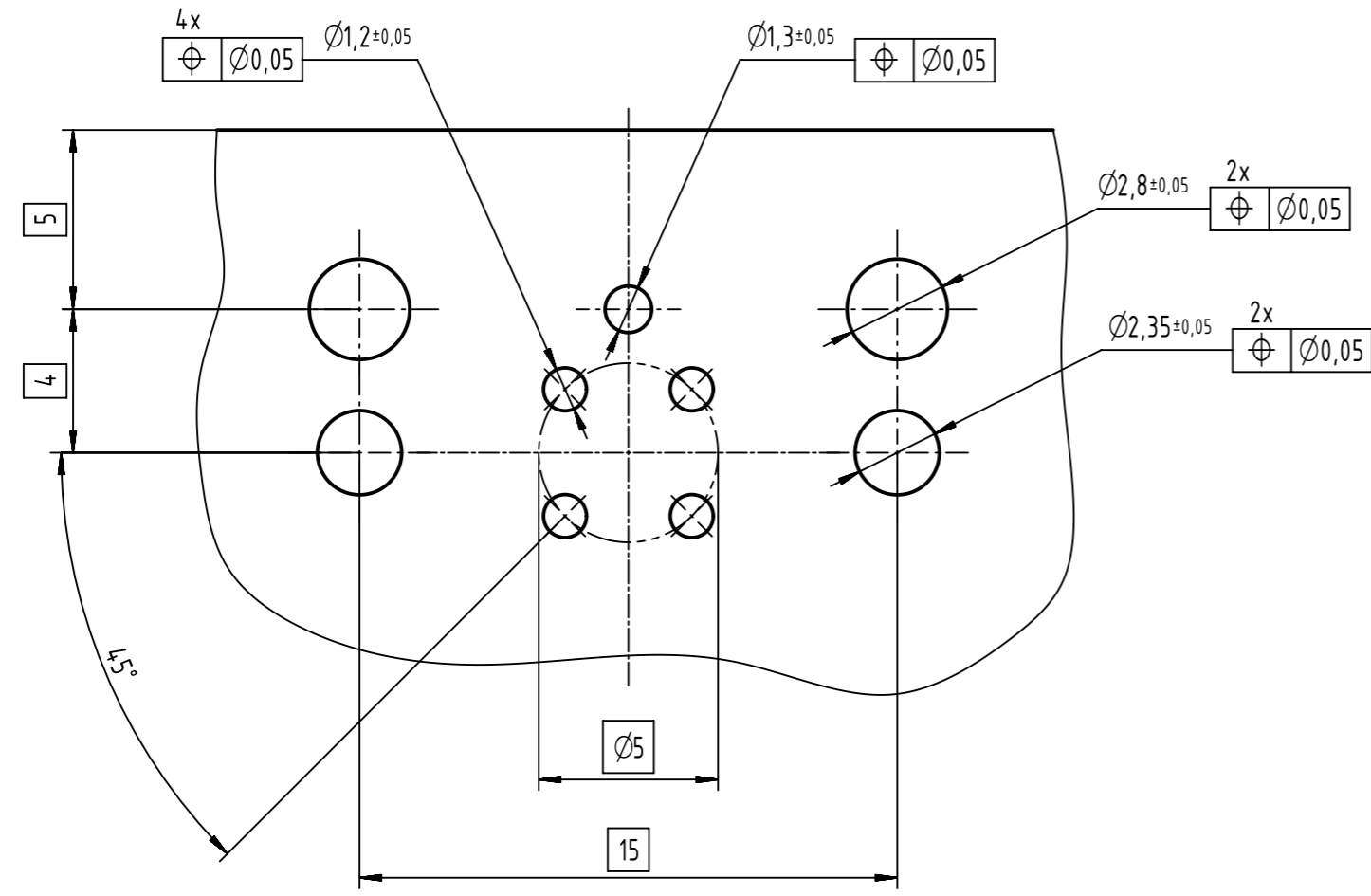


A(5:1)  
recommended PCB layout



recommended PCB thickness: 1.6mm

	All Dimensions in mm Original Size DIN A3		Scale 2:1	Free size tol.		Ref. Sub. TB 21033814440 500000098196 2015-12-09	
	All rights reserved Department EC PD - DE		Created by EISFELD	Inspected by WELLMANN	Standardisation HOFFMANN	Date 2016-04-04	State Final Release
HARTING Electronics GmbH D-32339 Espelkamp		Title HARTING M12 PCB fem D-cod 4-pole angular back mounting				Doc-Key / ECM-Nr. 100651928/UGD/000/B 500000101078	
		Type TB	Number 21033814440		Rev. B	Page 1/1	