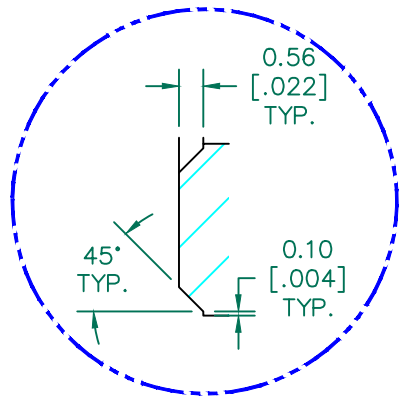
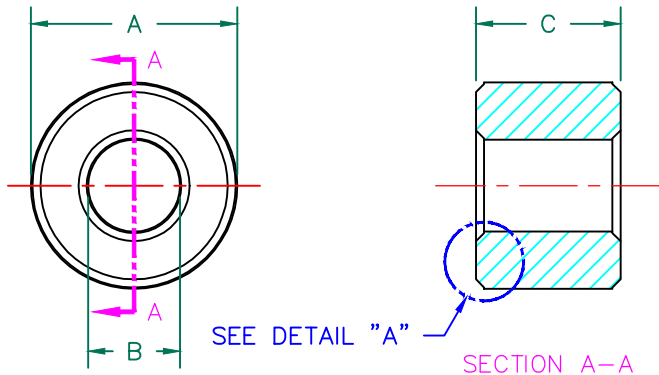


UNCONTROLLED DOCUMENT

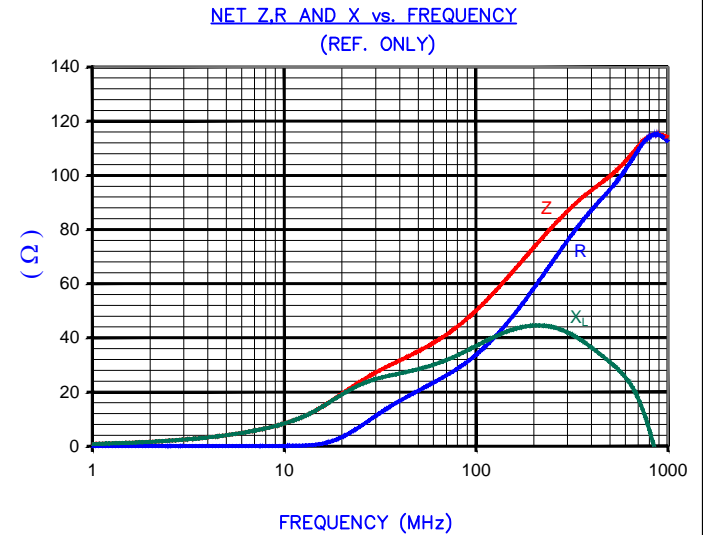


CHAMFER
DETAIL "A"
SCALE= 6:1

NOTES: UNLESS OTHERWISE SPECIFIED

1. COSMETIC SPECIFICATION REFER TO WI-QA-038.

NET IMPEDANCE (Z)			
Frequency	300 MHz	500 MHz	1 GHz
Nominal (REF)	85 Ω	100 Ω	115 Ω
Minimum	- Ω	80 Ω	- Ω



AGILENT E4991A Impedance/Material Analyzer
HP 16092A-Test Fixture

FERRITE CORE DIMENSIONS (SPEC) MM [Inches]:

A	14.27 [.562]	+	0.29 [.011]
B	6.35 [.250]	+	0.13 [.005]
C	10.00 [.394]	+	0.20 [.008]

WEIGHT/1000 6.22 kgs [13.71 Lbs]

SCALE DRAWING 1:1

HFB143064-100



DIMENSIONS ARE IN mm [INCHES].				This print is the property of Laird Tech. and is loaned in confidence subject to return upon request and with the understanding that no copies shall be made without the written consent of Laird Tech. All rights to design or invention are reserved.		Laird	
D	UPDATE COMPANY LOGO	01/07/13	QJU	PROJECT/PART NUMBER: HFB143064-100		REV D	DRAWN BY: TMB
C	UPDATE FORMAT CHG CURVE & Z SPECS	04/03/03	TMB	DATE: 08/20/02	SCALE: 2 : 1	MATERIAL: HF	
B	CHG WEIGHT/1000 3.04kgs TO 6.22kgs	10/01/02	TMB	CAD # HFB143064-100-D	TOOL # B0562		
A	ORIGINAL DRAFT	08/20/02	TMB				
REV	DESCRIPTION	DATE	INT				