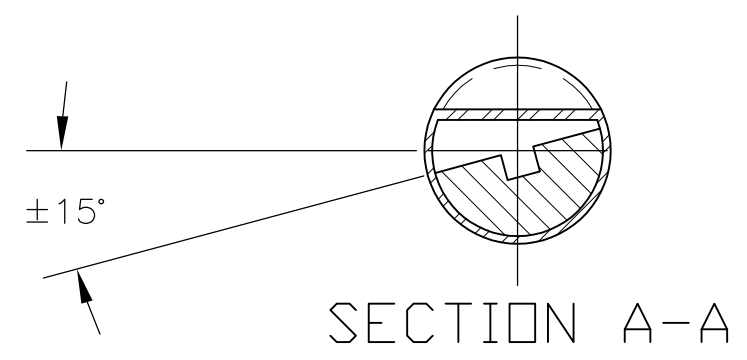
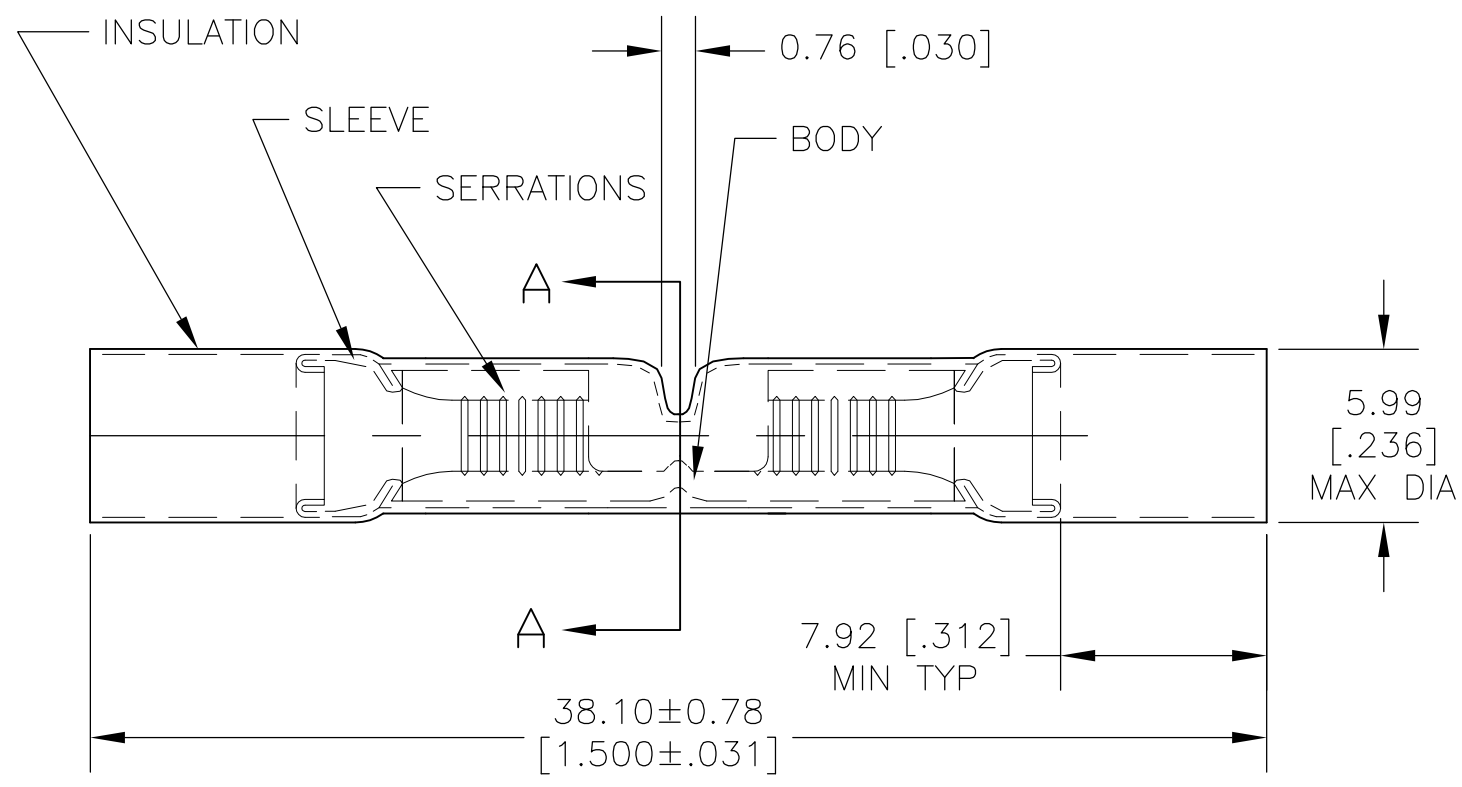


THIS DRAWING IS UNPUBLISHED. RELEASED FOR PUBLICATION
 © COPYRIGHT BY TYCO ELECTRONICS CORPORATION. ALL RIGHTS RESERVED.

LOC	DIST	REVISIONS					
G	14	P	LTR	DESCRIPTION	DATE	DWN	APVD
			H	REVISED PER ECR 07-030852	02JAN08	JR	TM

- 1 STAMP "AMP 18-16"
- 2 FOR 2.29-3.56 [.090-.140] WIRE INSULATION DIA.
- 3 MATERIAL THK IS 0.79±0.05 [.031±.002]
- △4 BODY: MATERIAL: COPPER ASTM B152
FINISH: GOLD PL. PER ASTM B488, TYPE 2
GRADE C, 0.00127 [.000050] MIN EXT THK
OVER NICKEL PER (QQ-N-290)
0.00076 [.000030] EXT. THK.
- △5 SLEEVE: MATERIAL: COPPER ASTM B152
FINISH: NICKEL PL. (QQ-N-290)
0.00076 [.000030] AVG EXT THK.
- △6 INSULATION: MATERIAL: TEFLON (ASTM D3295)
COLOR: NATURAL



1	WIRE SPLICE	330378
QTY	DESCRIPTION	PART NO

AMP INCORPORATED CUSTOMER SERVICE SYSTEMS		MAX RECOMMENDED OPERATING TEMPERATURE: 260°C	THIS DRAWING IS A CONTROLLED DOCUMENT.		DWN jr_ruth 27DEC07	Tyco Electronics Corporation Harrisburg, PA 17105-3608				
FOR ADDITIONAL PRODUCT INFORMATION OR COPIES OF DRAWINGS AND TECHNICAL DOCUMENTS	PRODUCT INFORMATION CENTER 1-800-522-6752	VOLTAGE RATING: 300 V MAX	DIMENSIONS: MM [INCHES]	TOLERANCES UNLESS OTHERWISE SPECIFIED:	CHK T MICHELUTTI 02JAN08	NAME WIRE SPLICE, STRATO-THERM, WINDOW BUTT, WIRE SIZE 18-16				
FOR APPLICATION TOOLING INFORMATION	TOOLING ASSISTANCE CENTER 1-800-722-1111	CIRCULAR MIL AREA: 0.81-1.42mm² [1,800-2,600] STRANDED		0 PLC ± - 1 PLC ± - 2 PLC ± - 3 PLC ± .008 4 PLC ± - ANGLES ± 5°	APVD T MICHELUTTI 02JAN08	APPLICATION SPEC	SIZE	CAGE CODE	DRAWING NO	RESTRICTED TO
FOR ORDER ENTRY	1-800-526-5142	THIS DRAWING IS A CONTROLLED DOCUMENT FOR AMP INCORPORATED. IT IS SUBJECT TO CHANGE AND THE CONTROLLING ENGINEERING ORGANIZATION SHOULD BE CONTACTED FOR THE LATEST REVISION.	MATERIAL △4 △5 △6	FINISH △4 △5 △6	PRODUCT SPEC	WEIGHT	A3	00779	C-330378	-
CUSTOMER DRAWING					SCALE	6:1	SHEET	1 OF 1	REV	H