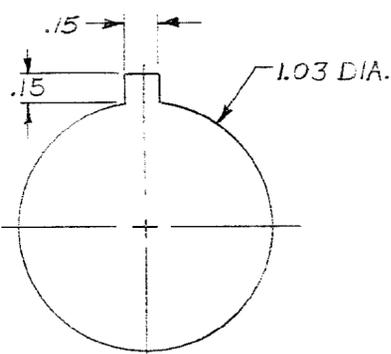
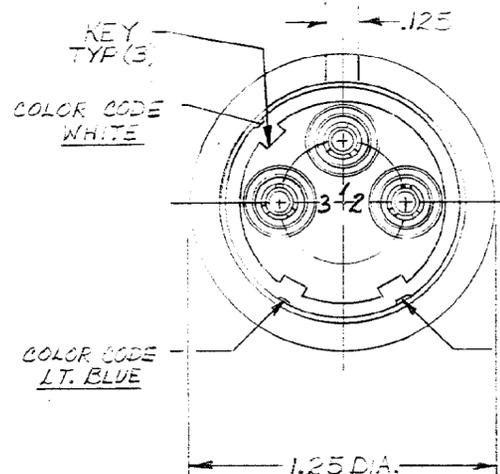
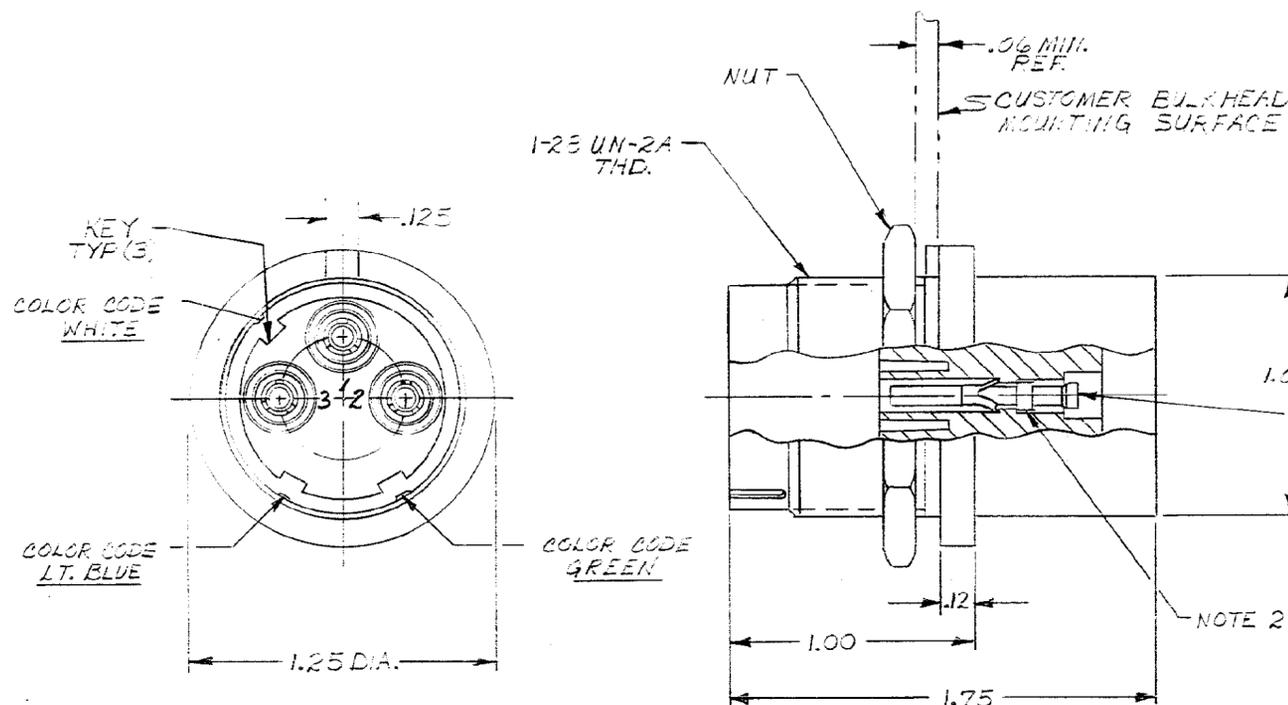


DRAWING MADE IN AMERICAN PROJECTION

© 1977 BY AMP INCORPORATED. ALL RIGHTS RESERVED. AMP PRODUCTS COVERED BY PATENTS AND/OR PATENTS PENDING.

THIS PRODUCT DESIGNED AND BUILT BY AMP INCORPORATED. NO LICENSE TO USE THIS DESIGN OR MANUFACTURE, OR TO USE ANY ISSUED OR PENDING PATENTS WHICH ARE INVOLVED, IS IMPLIED.

REVISIONS				
ZONE	LTR	DESCRIPTION	DATE	APPROVED
	E	REV. & REDRAWN WAS 'B' SIZE	7-24-71	M.B.
	F	REV. NOTE 2 ADDED POTTING MAT.	8-29-71	M.B.
	G	ADDED COLOR CODE & DELETED PORTION OF TRD. 22	5-17-72	M.B.
	H	REV. NOTE 1 ADDED -2	1-25-72	M.B.
	J	ADDED -3	2-26-76	M.B.
	K	ADDED -4, -5, -6	6-29-77	M.B.
	L	REVISED NOTE 1	1-17-77	M.B.
	M	LGH WAS EGH, ECN 8602,	1-29-79	M.B.
	N	OBSOLETE - 3 ECN S 3615	11-5-86	R.R.



CUSTOMER MOUNTING

AMP P/N	WIRE SIZE RANGE	HAND TOOL	COLOR CODING
859528-1	20,22,24	45099	YES
859528-2	16,18	45098	YES
OBSOLETE 859528-3	14	45098	YES
859528-4	20,22,24	45099	NO
859528-5	16,18	45098	NO
859528-6	14	45098	NO

NOTE:

1. CAVITY TO ACCEPT AMP SOCKETS, TYPE II 16 GA.

TO REMOVE SOCKETS, USE AMP EXTRACTION TOOL #861751-1

2. TYPE II SOCKETS WILL ACCEPT (1) 22 AWG, (1) 20 AWG OR (1) 24 AWG STRANDED WIRE. GOLD PLATED PER MIL-G-45204 TYPE II .00050 MIN. THICKNESS.

3. RECEPTACLE WILL WITH STAND WITHOUT BREAKDOWN 27KVDC PIN TO PIN & 27KVDC PIN TO GRD. WHEN MATED WITH 859533, 859535 OR 859531.

4. MARKING TO BE WHITE

5. TYPE II SOCKETS TO ACCEPT (1) 16 AWG OR (1) 18 AWG STRANDED WIRE

6. TYPE II SOCKETS TO ACCEPT ONE (1) 14 AWG STRANDED WIRE.

QTY REQD	QTY REQD	ITEM NO.	DWG SIZE	PART OR IDENTIFYING NO.	NOMENCLATURE OR DESCRIPTION	SYMBOL
-2	-1				PARTS LIST	

UNLESS OTHERWISE SPECIFIED: DIMENSIONS ARE IN INCHES TOLERANCES .00 ± .04 ANGLES = J .000 ± .015				CONTRACT NO. DR L. GEIB 3-9-71 CHK		AMP INCORPORATED CAPITON DIVISION ELIZABETHTOWN, PENNSYLVANIA	
MATERIAL: MOLDED PLASTIC				APPD M. GARDNER 3-9-71 APPD		NAME 3 CAVITY FLANGED RECEPTACLE H.V.	
FINISH: BLACK				DSGN APPD		SIZE C CODE IDENT NO. 00779 NUMBER 859528	
NEXT ASSY				OTHER APPD		SCALE 2-1 WT SHEET 1 of 1	
QTY REQD		APPLICATION		CUSTOMER DRAWING			

PRINT DIST 7