

Double valve connector cable - SAC-10,0/0,15-116/2XA-1L-Z - 1458059

Please be informed that the data shown in this PDF Document is generated from our Online Catalog. Please find the complete data in the user's documentation. Our General Terms of Use for Downloads are valid (<http://phoenixcontact.com/download>)



Double valve connector cable, 4-position, PUR/PVC, Black RAL 9005, free cable end, on Valve connector A, with 1 LED, connected with Z diode and Valve connector A, with 1 LED, connected with Z diode, Cable length: 10 m, Valve connector distance: 0.15 m

Product Features

- ✓ Easy and safe: 100% electrically tested plug-in components
- ✓ Robust valve connector with Zener diode as protective circuit
- ✓ Efficient: control valves with two connections via a single connecting cable
- ✓ Convenient: increased machine availability thanks to quick and easy diagnostics



Key commercial data

| | |
|----------------------|----------|
| Packing unit | 1 pc |
| Custom tariff number | 85444290 |
| Country of origin | Poland |

Technical data

Dimensions

| | |
|--------------------------|--------|
| Length of cable | 10 m |
| Valve connector distance | 0.15 m |

Ambient conditions

| | |
|---------------------------------|-------------------------------|
| Ambient temperature (operation) | -25 °C ... 85 °C (valve plug) |
| Degree of protection | IP65 |
| | IP67 |

General

| | |
|-----------------------|------------|
| Rated current at 40°C | 4 A |
| Rated voltage | 24 V AC/DC |
| Number of positions | 4 |
| Contact resistance | ≤ 5 mΩ |

Double valve connector cable - SAC-10,0/0,15-116/2XA-1L-Z - 1458059

Technical data

General

| | |
|------------------------------|-------------------------------|
| Insulation resistance | ≥ 100 MΩ |
| Standards/regulations | Valve connector EN 175301-803 |
| Status display | 1 LED |
| Protective circuit/component | Z diode |
| Surge voltage category | II |
| Pollution degree | 3 |
| Insertion/withdrawal cycles | 50 |
| Torque | 0.6 Nm (Valve connector) |

Material

| | |
|---|-------------------|
| Inflammability class according to UL 94 | HB |
| Valve plug contact material | CuSn |
| Valve plug contact surface material | Sn |
| Valve plug contact insert material | PA 66 |
| Material housing valve plug | TPU |
| Sealing material | TPU (Seal molded) |

Cable

| | |
|---|---|
| Cable type | PUR/PVC, 0.75 mm ² , black |
| Cable type (abbreviation) | 116 |
| Cable abbreviation | LiYY11Y-HF |
| UL AWM style | 20549 |
| Conductor cross section | 4x 0.75 mm ² |
| AWG signal line | 18 |
| Conductor structure signal line | 24x 0.20 mm |
| Core diameter including insulation | 1.7 mm ±0.05 mm |
| Wire colors | Black 1, black 2, black 3, green/yellow |
| Overall twist | 4 wires, twisted |
| External sheath, color | black |
| External cable diameter D | 6.3 mm ±0.2 mm |
| Smallest bending radius, fixed installation | 63 mm |
| Outer sheath, material | PUR |
| Material, inner sheath | PVC |
| Material conductor insulation | PVC |
| Conductor material | Bare Cu litz wires |
| Insulation resistance | ≥ 20 MΩ*km |
| Conductor resistance | 26 Ω/km (at 20 °C) |
| Nominal voltage, cable | 300 V |

Double valve connector cable - SAC-10,0/0,15-116/2XA-1L-Z - 1458059

Technical data

Cable

| | |
|---------------------------------|--|
| Test voltage, cable | 1200 V |
| Flame resistance | According to DIN VDE 0482 |
| | According to DIN EN 50265-2-1 |
| | In accordance with UL FT-2 |
| Ambient temperature (operation) | -40 °C ... 80 °C (cable, fixed installation) |
| | -5 °C ... 80 °C (cable, flexible installation) |

Classifications

eCl@ss

| | |
|------------|----------|
| eCl@ss 4.0 | 27060306 |
| eCl@ss 4.1 | 27060306 |
| eCl@ss 5.0 | 27061801 |
| eCl@ss 5.1 | 27061801 |
| eCl@ss 6.0 | 27061801 |
| eCl@ss 7.0 | 27061801 |
| eCl@ss 8.0 | 27061801 |

ETIM

| | |
|----------|----------|
| ETIM 4.0 | EC001855 |
| ETIM 5.0 | EC001855 |

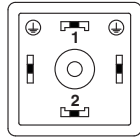
UNSPSC

| | |
|---------------|----------|
| UNSPSC 6.01 | 31251501 |
| UNSPSC 7.0901 | 31251501 |
| UNSPSC 11 | 31251501 |
| UNSPSC 12.01 | 31251501 |
| UNSPSC 13.2 | 31251501 |

Drawings

Double valve connector cable - SAC-10,0/0,15-116/2XA-1L-Z - 1458059

Schematic diagram



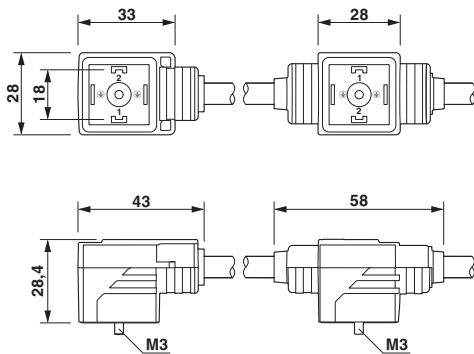
Valve connector pin assignment, type A

Cable cross section



PUR/PVC black [116]

Dimensioned drawing



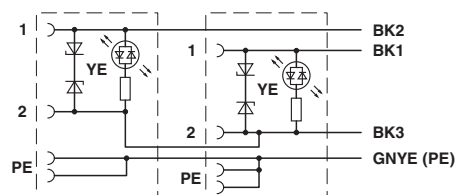
Dimensioned drawing



Valve connector spacing

Double valve connector, 2x type A

Circuit diagram



Contact assignment of the double-valve connector