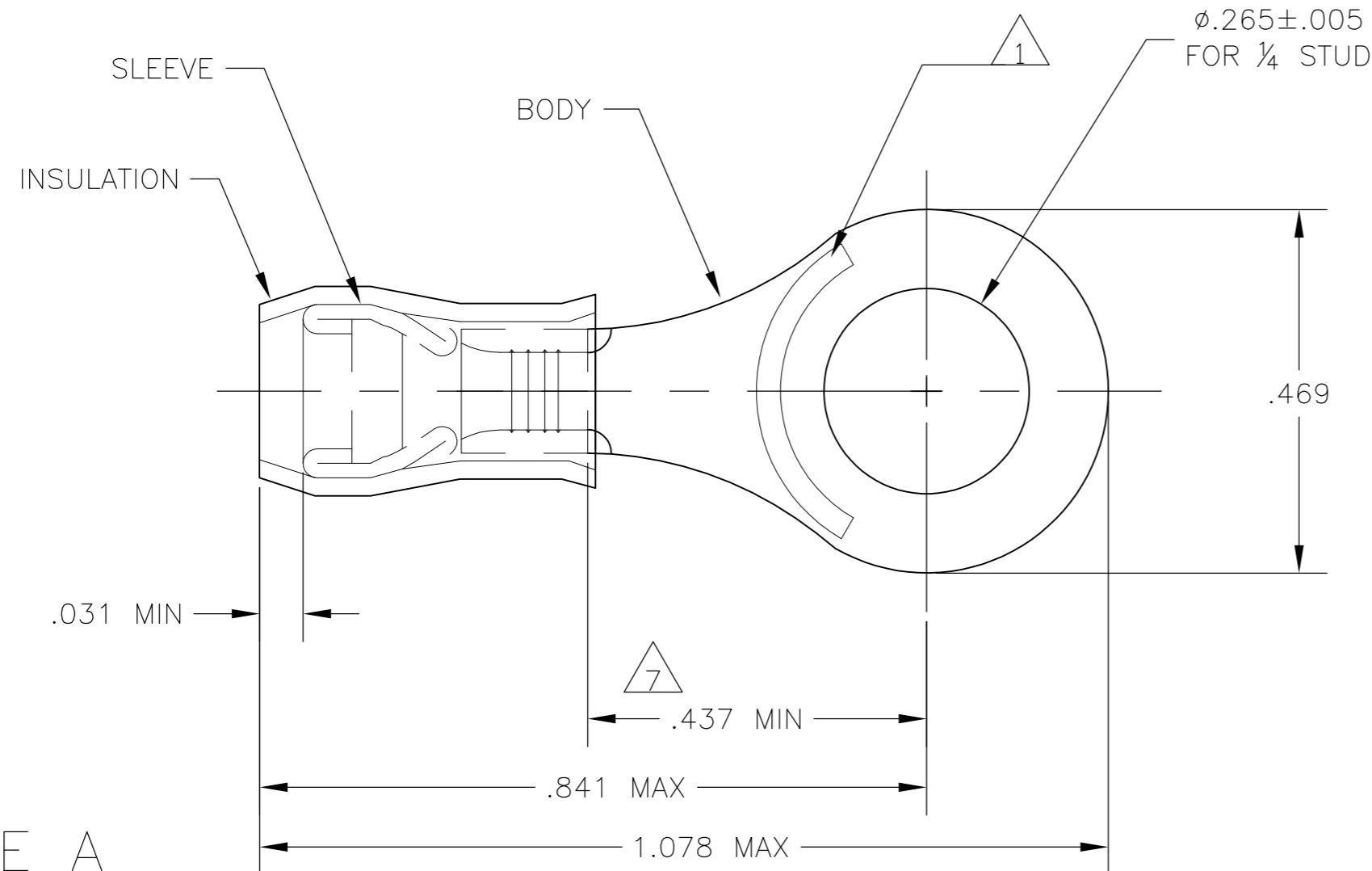


THIS DRAWING IS UNPUBLISHED. RELEASED FOR PUBLICATION  
 © COPYRIGHT - By - ALL RIGHTS RESERVED.

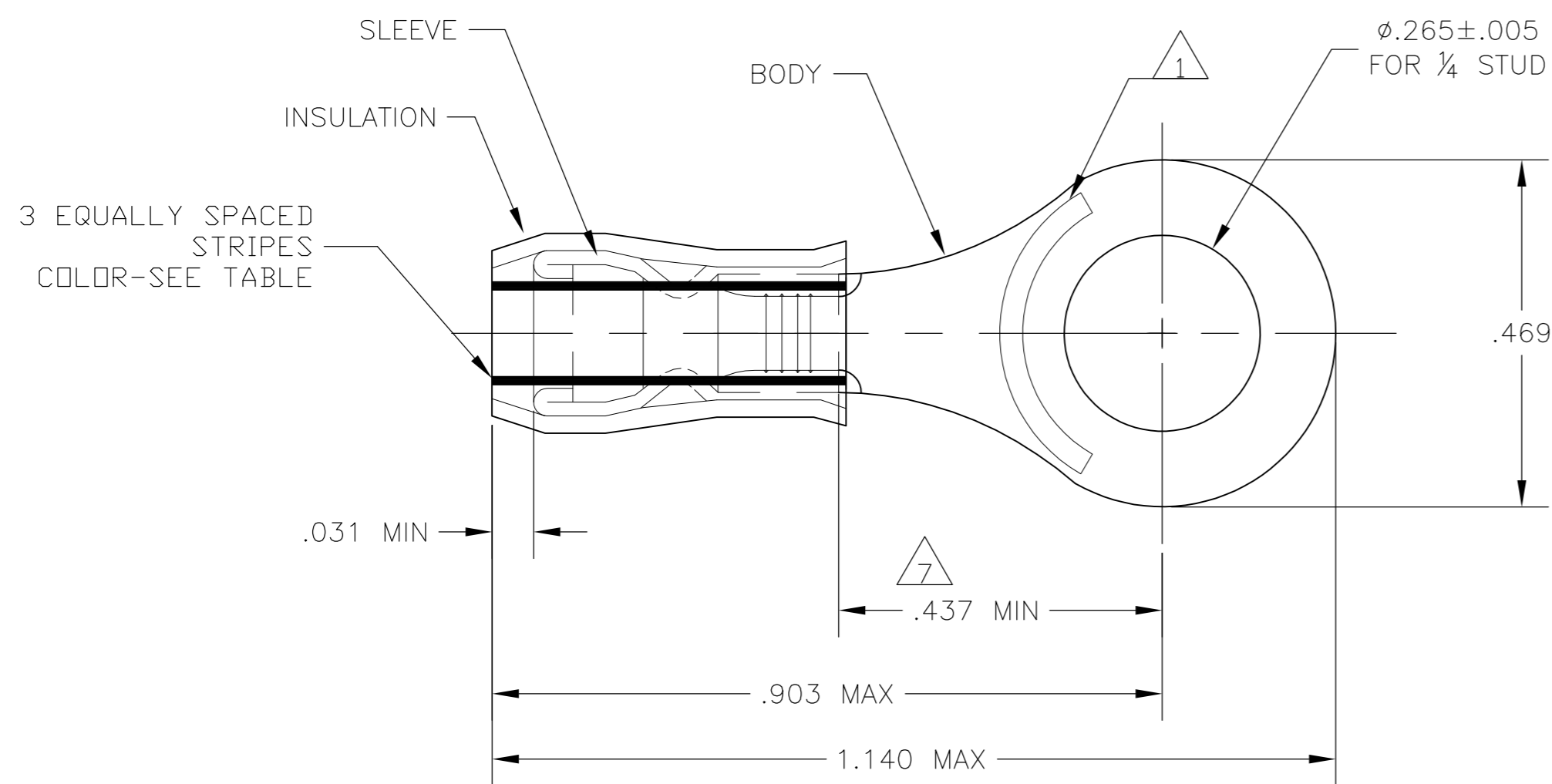
| LOC | DIST | REVISIONS                 |         |     |      |
|-----|------|---------------------------|---------|-----|------|
| P   | LTR  | DESCRIPTION               | DATE    | DWN | APVD |
| G   | 14   |                           |         |     |      |
|     | N3   | REVISED PER ECO-11-004820 | 11MAR11 | RK  | HMR  |

|                                |                                |                                |
|--------------------------------|--------------------------------|--------------------------------|
| <b>AMP</b><br>WIRE RANGE       | E13288<br>Listed               | LR7189<br>Certified            |
| 16-14 AWG<br>SOLID OR STRANDED | 16-14 AWG<br>SOLID OR STRANDED | 16-14 AWG<br>SOLID OR STRANDED |



- 1 STAMP "AMP - SEE TABLE" APPROX AS SHOWN
- 2 WIRE INSULATION DIA: SEE TABLE
- 3 TONGUE MATERIAL THK: .031±.002
- 4 BODY: TIN PLATE .000100 MIN EXT THK PER ASTM B545
- 5 SLEEVE: TIN PLATE .000100 MIN EXT THK PER ASTM B545
- 6 BODY & SLEEVE- CU PER ASTM B152  
INSULATION - NYLON PER ASTM D4066  
COLOR - BLUE
- 7 APPLIES FROM EDGE OF METAL WIRE BARREL TO CENTER OF STUD HOLE.
- 8 MEETS MS25036-154, CLASS 1 & 2
- 9 MEETS MS25036-154, CLASS 2
- 10 MEETS M7928/1-43, CLASS 1 & 2
- 11 MEETS M7928/1-52, CLASS 1 & 2

STYLE A



STYLE B  
INSULATION RESTRICTING

OBSOLETE  
OBSOLETE

| QTY | PACKAGE TYPE     | STAMPING | WIRE INSUL DIA | WIRE SIZE | STRIPE COLOR | STYLE | BODY FINISH | SLEEVE FINISH | PART NO               |
|-----|------------------|----------|----------------|-----------|--------------|-------|-------------|---------------|-----------------------|
| 100 | LOOSE PIECE, BOX |          | 16-14          | .105-.150 | 16-14        | --    | A           |               | 8-320563-1            |
| 500 | 320563-4 ON TAPE |          | 14             | .078-.130 | 14           | GREEN | B           |               | <del>2-320563-6</del> |
| 500 | 320563-3 ON TAPE |          | 16             | .063-.130 | 16           | BLUE  | B           |               | <del>2-320563-5</del> |
| 500 | LOOSE PIECE      |          | 14             | .078-.130 | 14           | GREEN | B           | 4             | 11 2-320563-4         |
| 500 | LOOSE PIECE      |          | 16             | .063-.130 | 16           | BLUE  | B           | 5             | 10 2-320563-3         |
| 500 | 320563 ON TAPE   |          | 16-14          | .105-.150 | 16-14        | --    | A           |               | 9 2-320563-2          |
| 500 | LOOSE PIECE      |          | 16-14          | .105-.150 | 16-14        | --    | A           |               | 8 320563              |

|  |  |   |  |  |                                  |   |                    |                        |               |
|--|--|---|--|--|----------------------------------|---|--------------------|------------------------|---------------|
| <b>CUSTOMER SERVICE SYSTEMS</b>  |  | MAX RECOMMENDED OPERATING TEMPERATURE:<br>105°C MAX                   | THIS DRAWING IS A CONTROLLED DOCUMENT. |  | DWN<br>JR RUTH<br>13JAN10        | TE Connectivity                                     |                    |                        |               |
| FOR ADDITIONAL PRODUCT INFORMATION OR COPIES OF DRAWINGS AND TECHNICAL DOCUMENTS | PRODUCT INFORMATION CENTER<br>1-800-522-6752 | VOLTAGE RATING:<br>300 VOLT MAX                                       | DIMENSIONS:<br>INCHES                  | TOLERANCES UNLESS OTHERWISE SPECIFIED:<br>0 PLC ± -<br>1 PLC ± -<br>2 PLC ± -<br>3 PLC ± .008<br>4 PLC ± - | CHK<br>T MICHIELUTTI<br>13JAN10  | NAME<br>T MICHIELUTTI                               |                    |                        |               |
| FOR APPLICATION TOOLING INFORMATION  | TOOLING ASSISTANCE CENTER<br>1-800-722-1111  | CIRCULAR MIL AREA:<br>1.02-2.62mm² [2,050-5,180]<br>STRANDED OR SOLID |  | FINISH   | APVD<br>T MICHIELUTTI<br>13JAN10 | APPLICATION SPEC                                    |                    |                        |               |
| FOR ORDER ENTRY  | 1-800-526-5142                               |   | MATERIAL                               |  | PRODUCT SPEC                     | TERMINAL, RING TONGUE, PIDG<br>WIRE SIZE: 16-14 AWG |                    |                        |               |
|  |  |   |  |  | WEIGHT                           | SIZE<br>A2  | CAGE CODE<br>00779 | DRAWING NO<br>C=320563 | RESTRICTED TO |
|  |  |   |  |  | CUSTOMER DRAWING                 | SCALE<br>5:1  | SHEET<br>1 of 1    | REV<br>N3              |               |