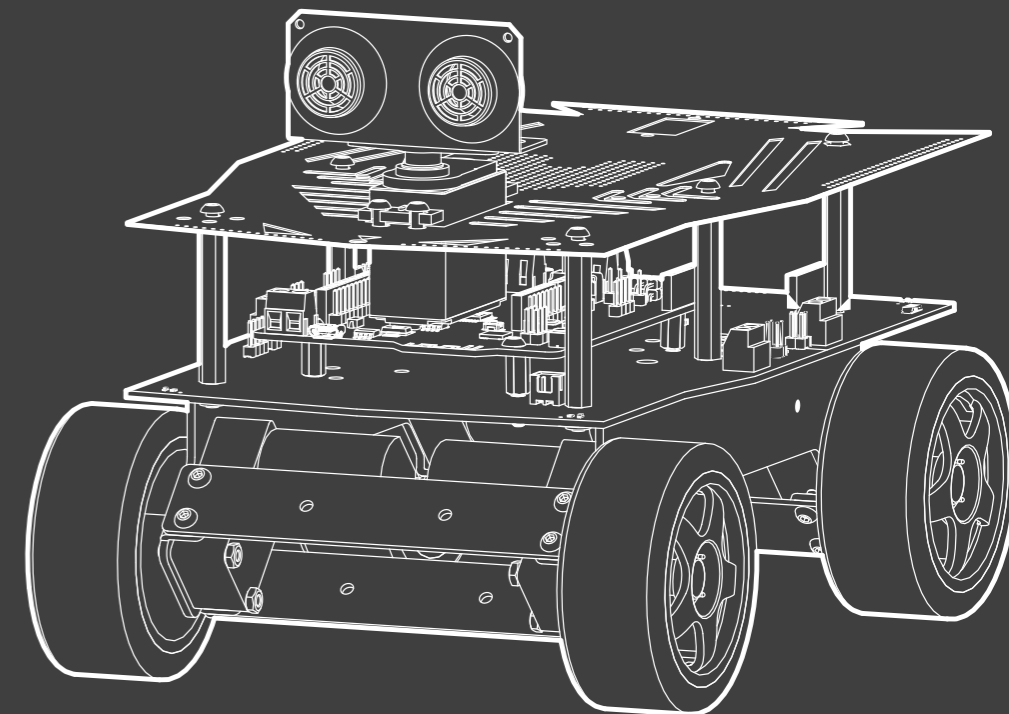


# 切诺基初级套件

## Cherokey 4WD Basic Kit

安装手册

Instruction Manual



网站: [www.dfrobot.com.cn](http://www.dfrobot.com.cn)

Website: [www.dfrobot.com](http://www.dfrobot.com)

电话 (Tel): 86-21-61620183

服务支持 (Service): [techsupport@dfrobot.com](mailto:techsupport@dfrobot.com)

地址: 中国上海市浦东新区亮秀路112号Y1座615室

Address: Rm. 615, Bldg Y1, NO.112, Liangxiu Rd., Pudong, China

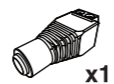
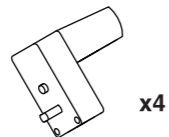
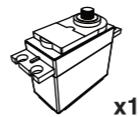
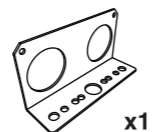
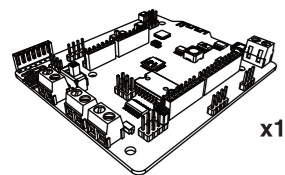
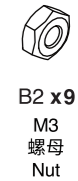
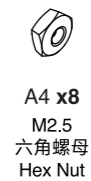
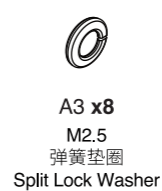
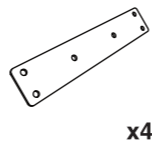
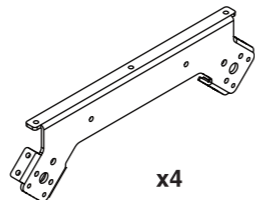
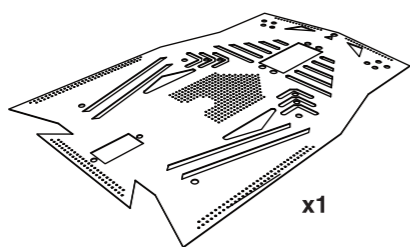
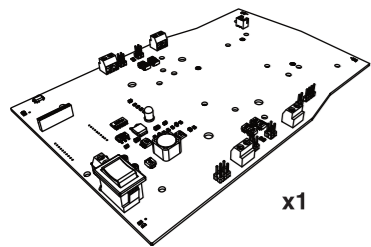
© 本说明书最终解释权归DFRobot所有

DFRobot has the final authority of interpretation on this manual.

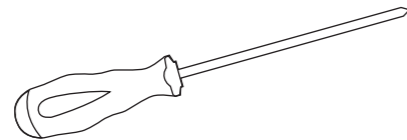


零件清单  
Parts List

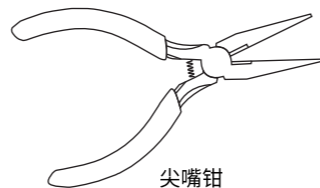
零件清单  
Parts List



**主要工具**  
**Essential Tools**

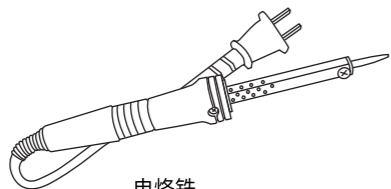


十字螺丝刀  
Phillips Screwdriver

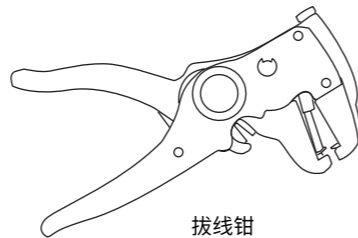


尖嘴钳  
Long-Nosed Pliers

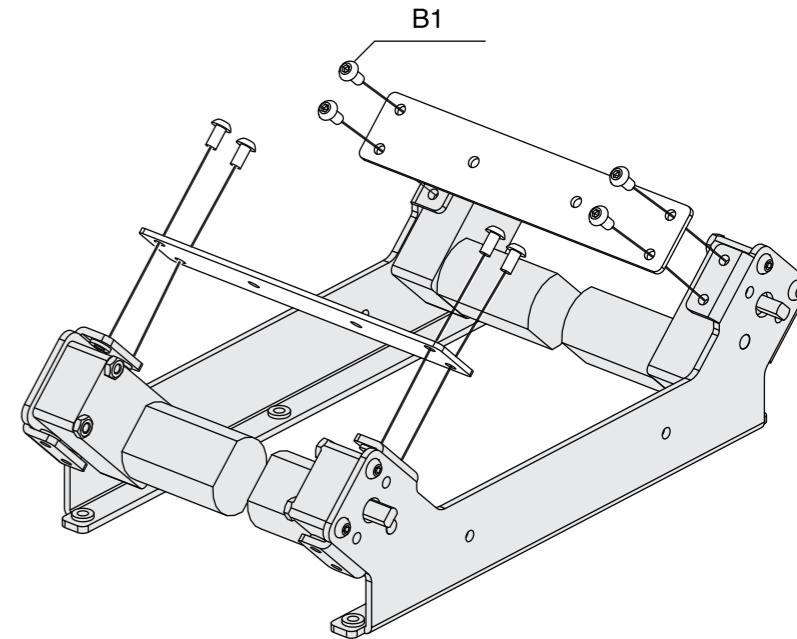
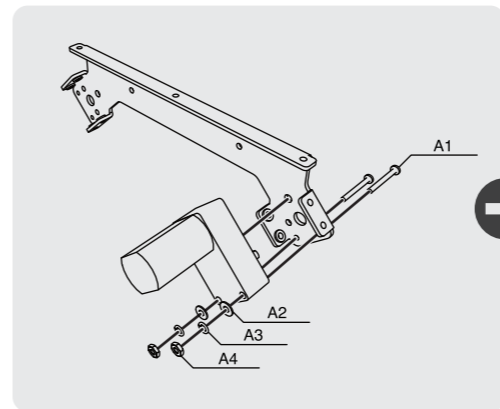
**可选工具**  
**Optional Tools**



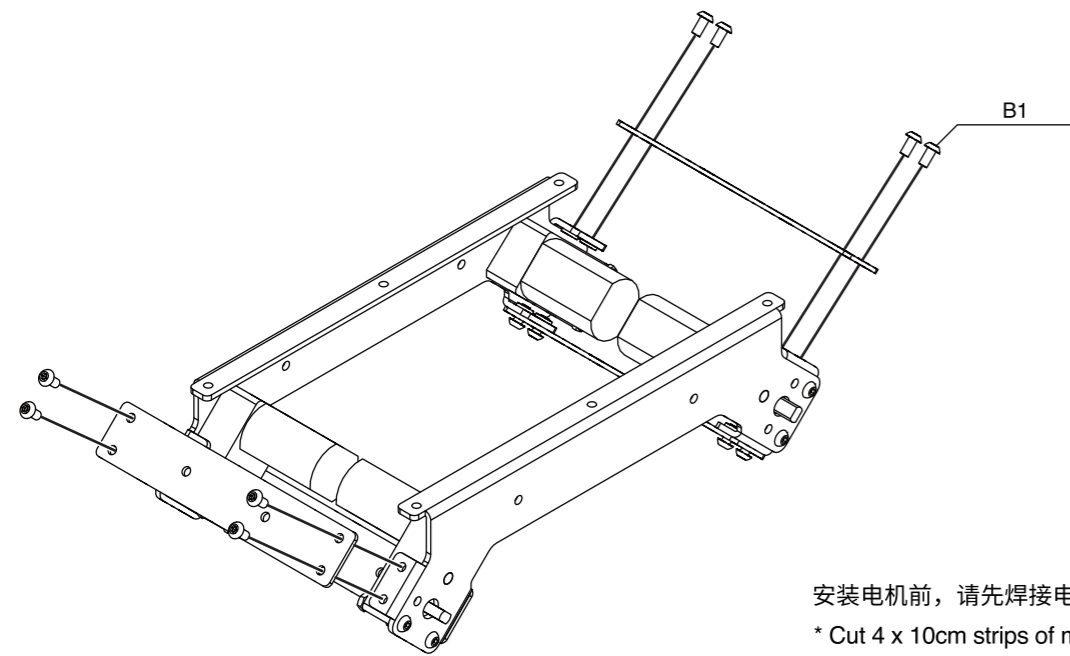
电烙铁  
Soldering Iron



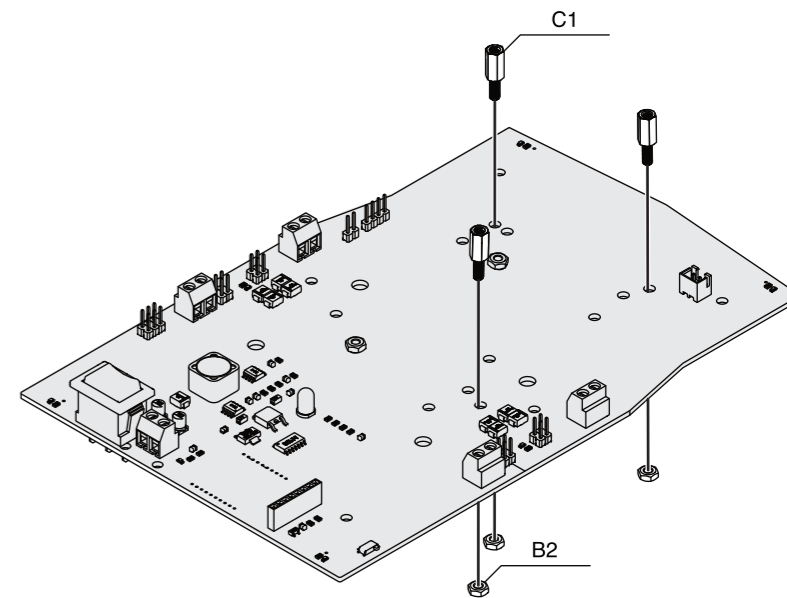
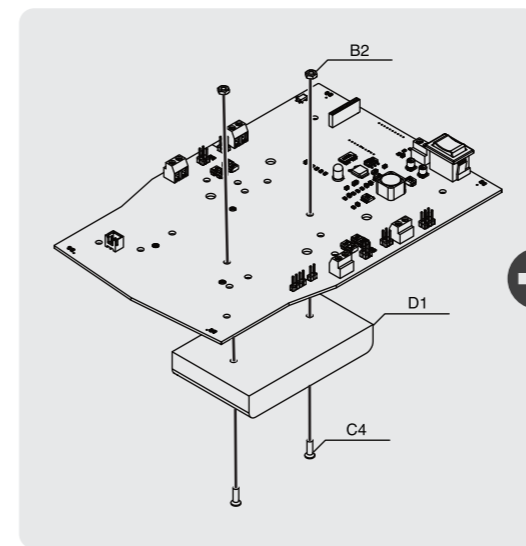
拔线钳  
Wire Strippers

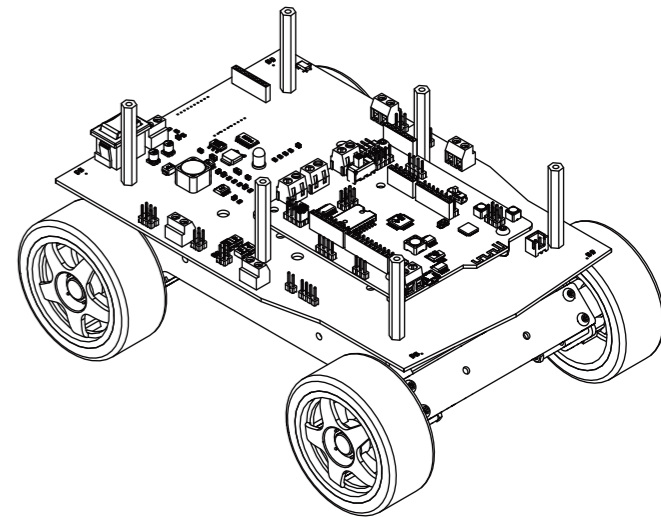
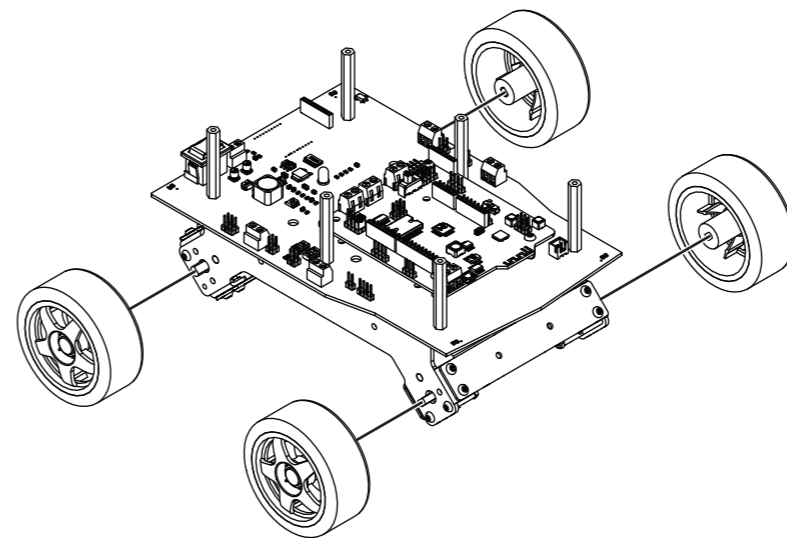
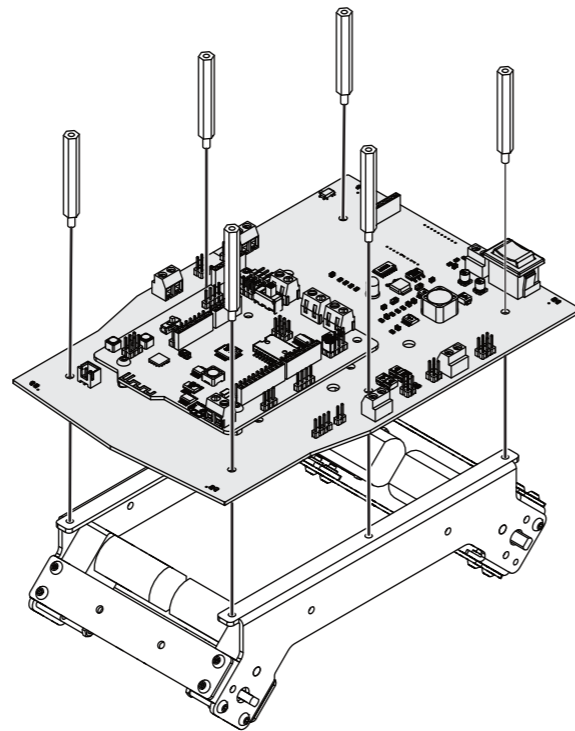
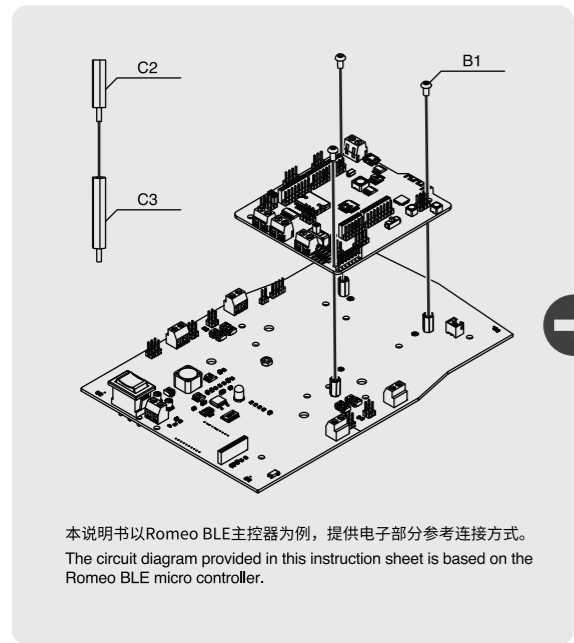


备注：本套件不包含工具和电池。  
Note: Tools and Batteries not included.



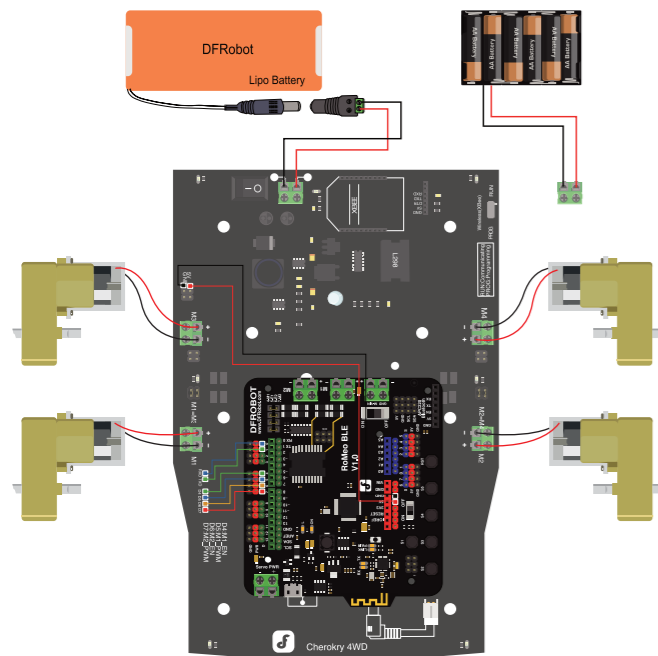
安装电机前，请先焊接电机线。  
\* Cut 4 x 10cm strips of motor wire  
\* Solder wires to motor terminals  
\* Install motors





为了便于后续安装，请将电机线穿过扩展板通孔。  
Lead motor power cables through holes to keep it neat and tidy.

电路连接图  
Connections



电源连接说明书将提供两种方案：  
There are two options to power your device:

- (1) 电池盒供电方案A  
(1) Option A: Battery holder power supply.
- (2) 7.4V 充电电池供电方案B  
(2) Option B: Rechargeable battery power supply

7.4V 充电电池可在DFRobot商城选购，用户可按需求自行选择。  
7.4V LiPo batteries are available at the DFRobot online store.

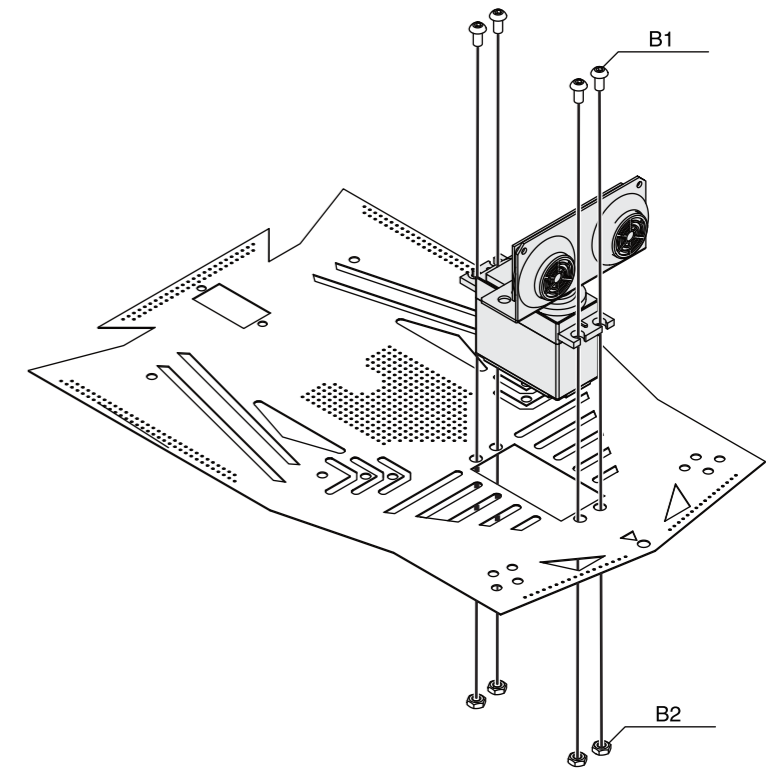
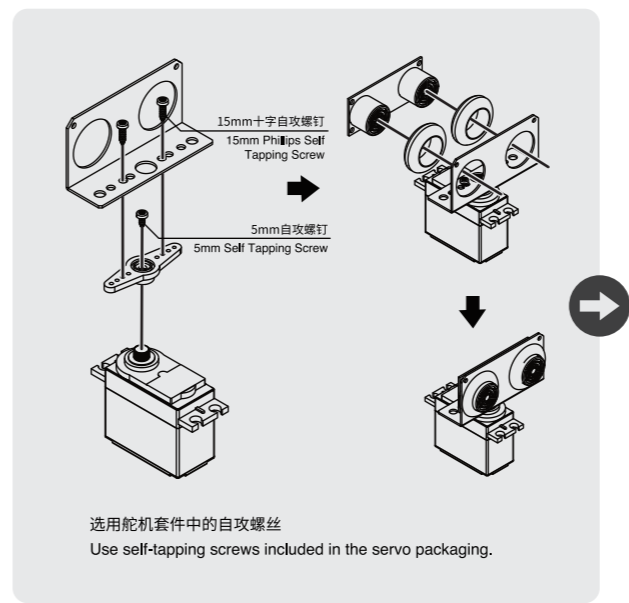
如想了解更多相关信息，可进入DFRobot Wiki查看更多教程。  
<http://wiki.dfrobot.com.cn/>

ROB0117

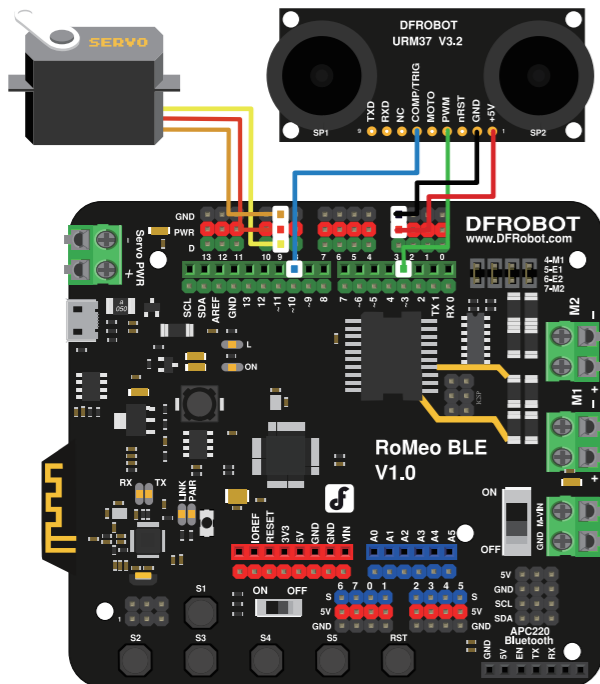


Refer to tutorials on DFRobot Wiki page for trouble shooting  
<https://www.dfrobot.com/wiki>

ROB0117



电路连接图  
Servo / Sensor Connections



在搭建好舵机与超声波传感器的电路后，请先对两者进行调校。  
详情见产品Wiki (可扫描二维码)：Step4 调试超声波和舵机

Calibrate servo and ultrasonic sensor circuit before installing  
in to chassis.

Read content " Step 4: Servo and Ultrasonic Sensor Calibration"  
on its Wiki page (QR code available) for more details.

