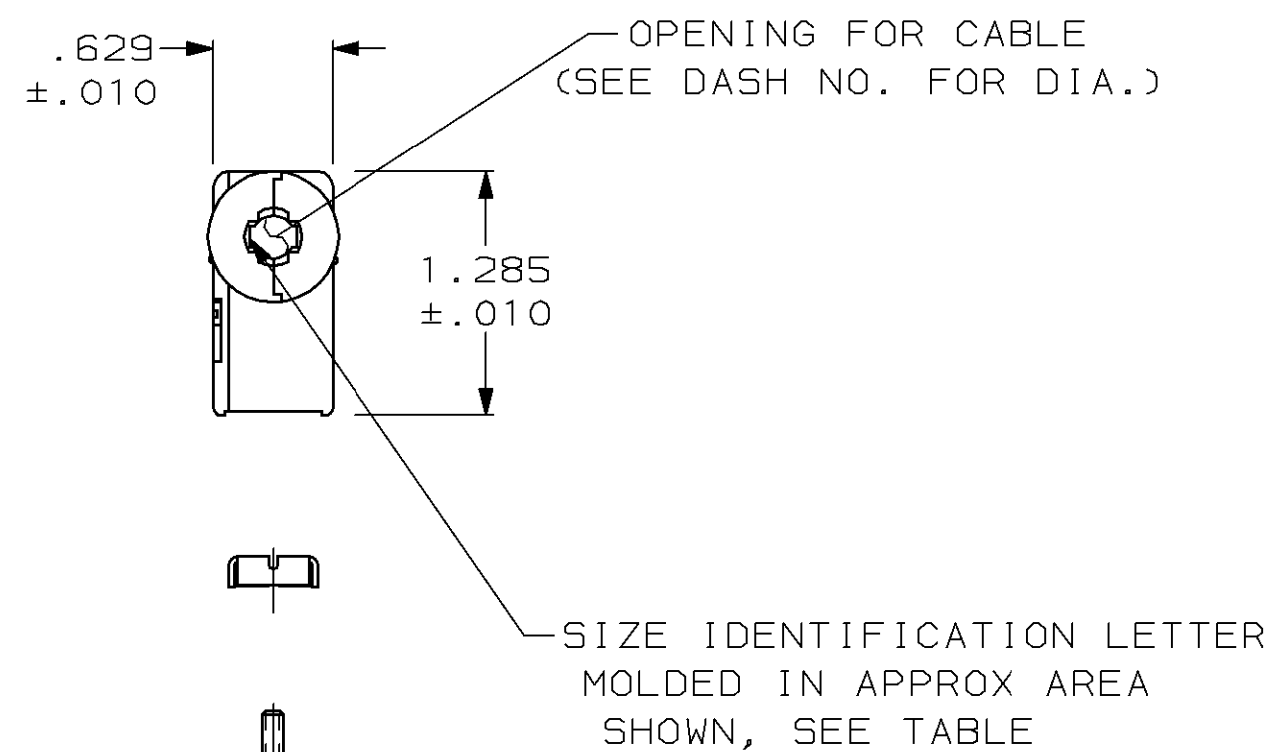
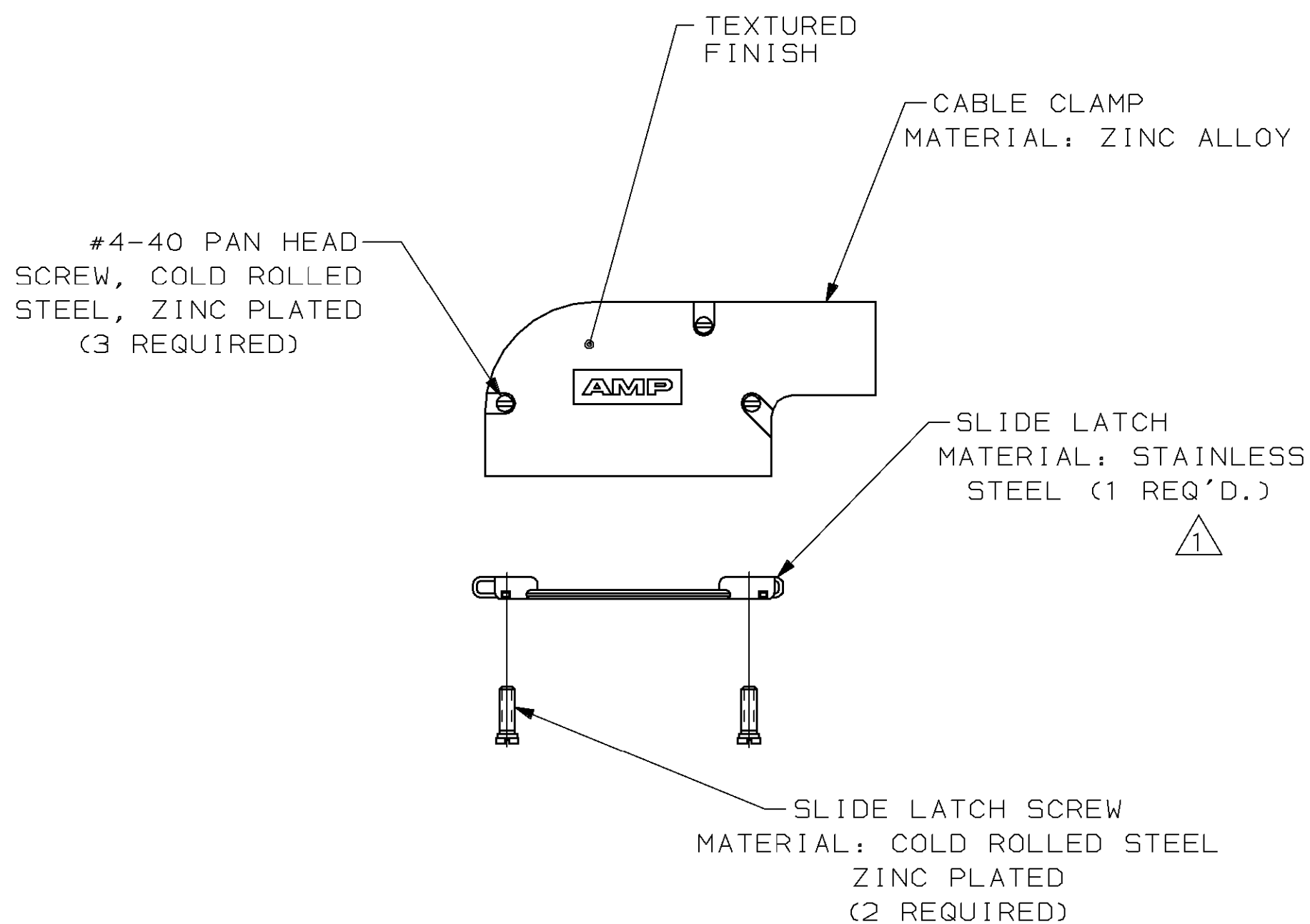
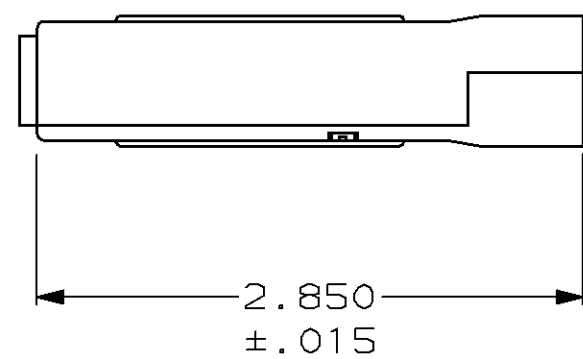


LOC	DIST	P	F	ZONE	LTR	DESCRIPTION	DATE	APPD
BD	48				C	REDRAWN	7/9/90	-
					D	REV PER EC 0020-881-95	25 AUG 95	JS



D	PLATED NICKEL OVER COPPER	.280	745653-5
G		.355	745653-4
K		.430	745653-3
M		.480	745653-2
P		.530	745653-1
NECK IDENT	REMARKS	CABLE DIA	PART NO.

1 KIT INCLUDES SLIDE LATCH & SCREWS.

2. ALL PARTS PACKAGED UNASSEMBLED.

DO NOT SCALE PRINT. UNLESS SPECIFIED DIMENSIONS IN INCHES TOLERANCES ON :	DR 7/9/90 A. STAUB BG	AMP INCORPORATED Harrisburg, Pa. 17105	
2 PLC DEC ± -	CHK 9-10-90 J. McCLINTON		
3 PLC DEC ± .005	APPD 9-11-90 B. TAYLOR	NAME	
ANGLES ± -	APPD 9-11-90 J. ASSINI	CABLE CLAMP KIT, SIZE 3, 25 POSITION, 90°, AMPLIMITE™ SERIES	
MATERIAL	PRODUCT SPEC	SIZE	FSCM NO
SEE CALLOUTS	-	C	00779
FINISH	APPLICATION SPEC	DRAWING NO	745653
SEE CALLOUTS	-	SCALE	1:1
WEIGHT	-	SHEET	1 OF 1