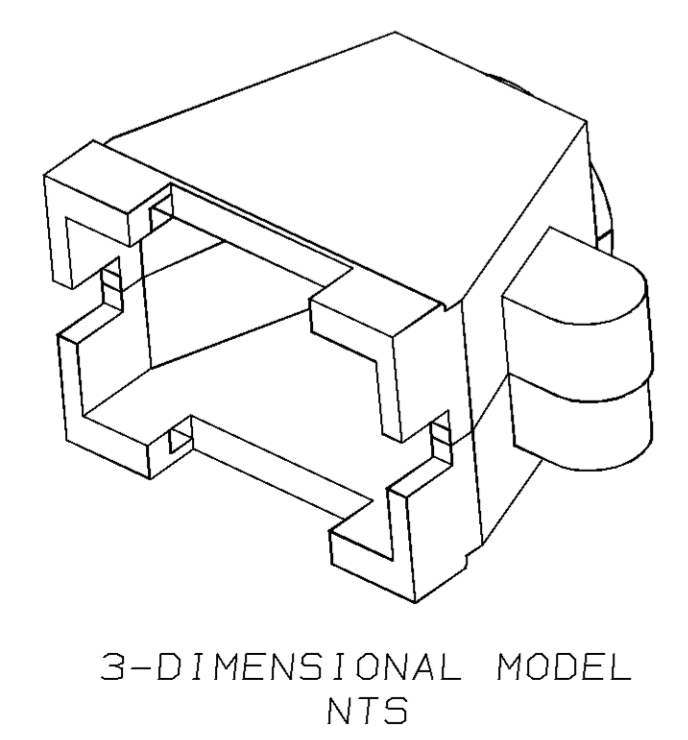
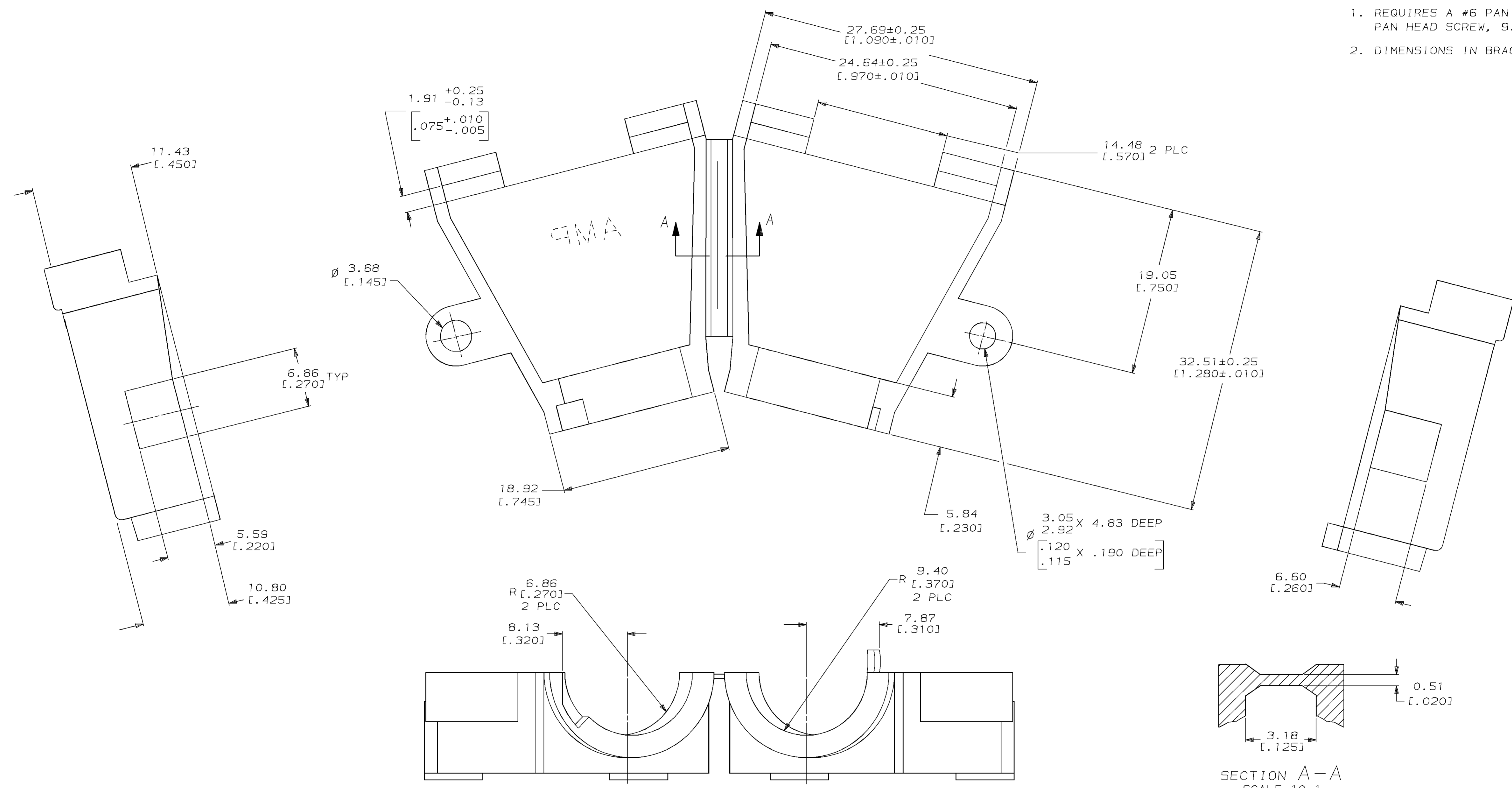


LOC		DIST		P		F		ZONE		LTR		REVISIONS			
CM	52											DESCRIPTION	DATE	APPD	
												K	REV & REDWN PER ECN CM-11	2-10-95	KS

- REQUIRES A #6 PAN HEAD TYPE "B" SELF TAPPING PAN HEAD SCREW, 9.53 [.375] LONG.
- DIMENSIONS IN BRACKETS ARE IN INCHES.



SECTION A-A
SCALE 10:1

BLACK	1-480634-9
BRICK RED	480634-1
COLOR	PART NO

DO NOT SCALE PRINT. UNLESS SPECIFIED DIMENSIONS IN mm [INCHES] TOLERANCES ON: 2 PLC DEC ± 0.13 [.005] 3 PLC DEC ± - ANGLES ± -	DR 2-10-95 K. SALMON
MATERIAL NYLON	CHK 2-10-95 R. SWING
FINISH COLOR, SEE TABLE	APPD 2-10-95 W. LONG
	APPD 2-10-95 W. LONG
	APPLICATION SPEC
	WEIGHT -

AMP AMP Incorporated Harrisburg, PA 17105-3608	
NAME STRAIN RELIEF, HINGED, 20 POSITION	
SIZE D	CAGE CODE 00779
DRAWING NO C=480634	SHEET 1 OF 1
SCALE 4:1	



THIS DRAWING IS A CONTROLLED DOCUMENT FOR AMP INCORPORATED. IT IS SUBJECT TO CHANGE AND THE CONTROLLING ENGINEERING ORGANIZATION SHOULD BE CONTACTED FOR THE LATEST REVISION.