

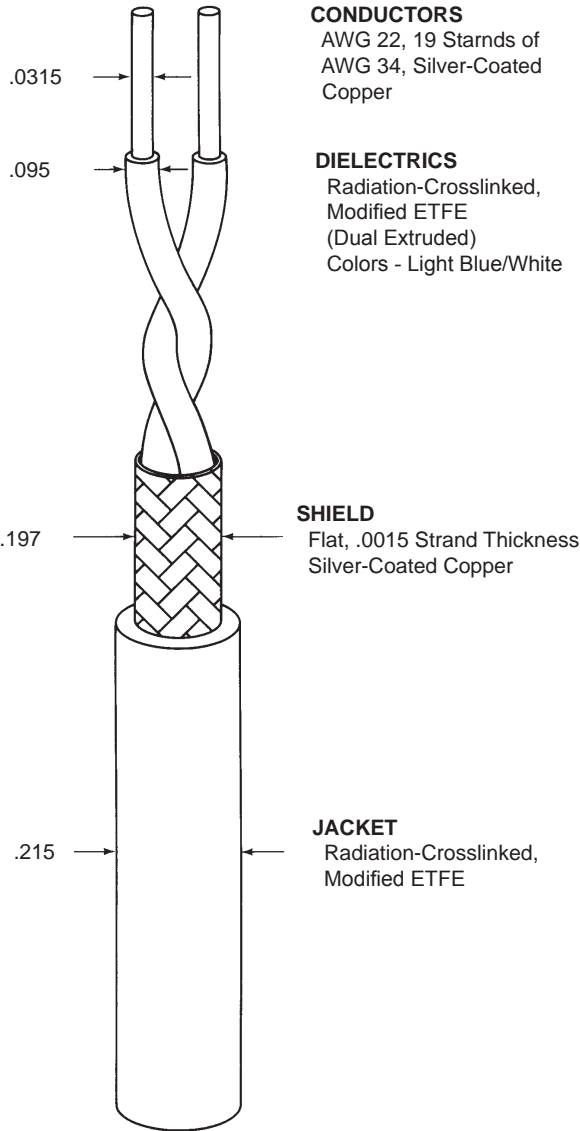
<b>SPECIFICATION CONTROL DRAWING</b>	<b>0022S2662</b>
--------------------------------------	------------------

<b>CHEMINAX</b>	100 OHM, AWG 22, 19 STRANDS OF AWG 34, TWINAXIAL CABLE, OUTER SPACE USE	Date	1-10-12
		Revision	A

THIS SPECIFICATION SHEET FORMS A PART OF THE LATEST ISSUE OF RAYCHEM SPECIFICATION 1200.

<b>CONSTRUCTION DETAILS</b>	<b>ELECTRICAL CHARACTERISTICS</b>
-----------------------------	-----------------------------------

DIMENSIONS ARE NOMINAL VALUES IN INCHES UNLESS OTHERWISE DESIGNATED.



**CONDUCTORS**  
AWG 22, 19 Strands of  
AWG 34, Silver-Coated  
Copper

**DIELECTRICS**  
Radiation-Crosslinked,  
Modified ETFE  
(Dual Extruded)  
Colors - Light Blue/White

**SHIELD**  
Flat, .0015 Strand Thickness  
Silver-Coated Copper

**JACKET**  
Radiation-Crosslinked,  
Modified ETFE

CHARACTERISTIC IMPEDANCE 100 ± 10 ohms, Method C at 1 MHz  
MUTUAL CAPACITANCE 18 pF/ft. (nominal)

**ADDITIONAL REQUIREMENTS**

**COMPONENT WIRE PRIOR TO CABLING (Test Procedures per SAE AS22759)**

CROSSLINKING PROOF TEST 300 ± 3°C for 1 hour, 1.00 inch mandrel,  
1.00 lb., 2.5 kV dielectric test

INSULATION (DIELECTRIC)  
ELONGATION 50% (minimum)  
TENSILE STRENGTH 5000 lbf/in<sup>2</sup> (minimum)  
INSULATION FLAWS  
SPARK TEST 3.0 kV (rms)  
IMPULSE TEST 8.0 kV (peak)  
INSULATION RESISTANCE 5000 megohms for 1000 ft. (minimum)  
LOW TEMPERATURE-COLD BEND -65 ± 3°C for 4 hours, .750 inch mandrel,  
1.00 lb., 2.5 kV dielectric test  
SHRINKAGE 200 ± 3°C for 1 hour,  
.125 inch (maximum) in 12 inches

**FINISHED CABLE  
(Test Procedures per NEMA WC 27500, unless otherwise specified)**

BLOCKING 200°C for 6 hours  
CROSSLINKED VERIFICATION 300 ± 5°C for 6 hours, 6.00 inch mandrel  
FLAMMABILITY 3 seconds (maximum); 3 inches (maximum);  
(Method B of Spec 1200) no flaming of facial tissue  
JACKET  
ELONGATION 50% (minimum)  
TENSILE STRENGTH 5000 lbf/in<sup>2</sup> (minimum)  
JACKET FLAWS  
SPARK TEST 1.0 kV (rms)  
IMPULSE TEST 6.0 kV (peak)  
JACKET THICKNESS .009 inch (nominal)  
LOW TEMPERATURE-COLD BEND -55 ± 5°C for 4 hours, 6.00 inch mandrel  
SHIELD COVERAGE 90% (minimum)  
VOLTAGE WITHSTAND 1500 volts (rms)  
(DIELECTRIC)  
WEIGHT 23.5 lbs/1000 ft. (nominal)

**OUTER SPACE REQUIREMENTS**

RADIATION RESISTANCE 500 megarads/6.50 inch mandrel  
1.0 kV dielectric test

VACUUM STABILITY  
TOTAL MASS LOSS (TML) 1.00% (maximum)  
VOLATILE CONDENSABLE 0.10% (maximum)  
MATERIAL (VCM)  
WEIGHT LOSS (Per Raychem Spec 55/): 0.45% (maximum)

Outer jacket color will be white (designated by a "-9" appended to the part number, e.g. 0022S2662-9) unless otherwise specified.

Designate outer jacket color with a dash number in accordance with MIL-STD-681. Other codes and suffixes may be added to the part number, as necessary, to capture any additional requirements imposed by the purchase order.

Users should evaluate the suitability of this product for their application. Specifications are subject to change without notice. Tyco Electronics Corporation also reserves the right to make changes in materials or processing, which do not affect compliance with any specification, without notification to Buyer.

