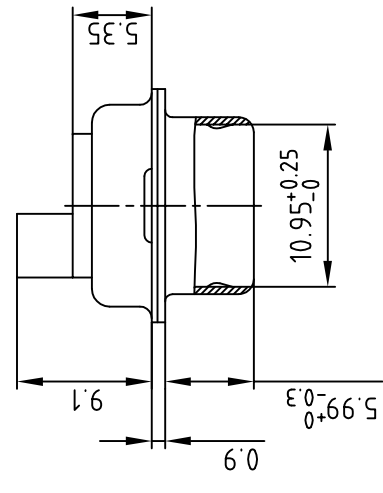
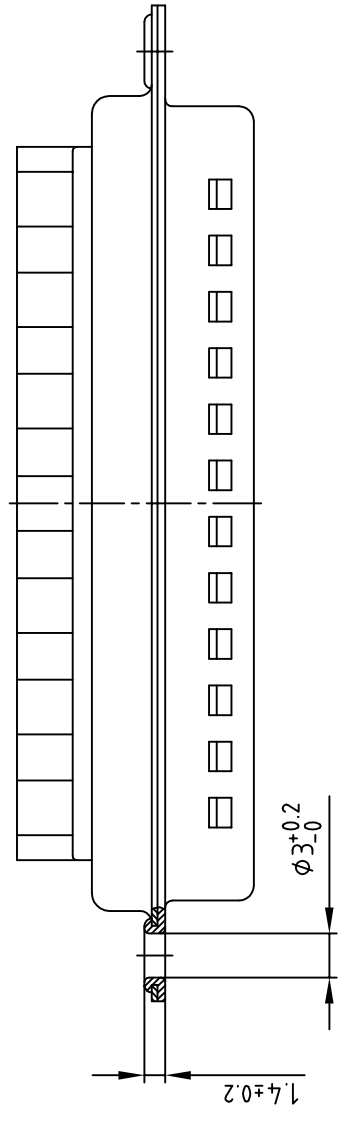
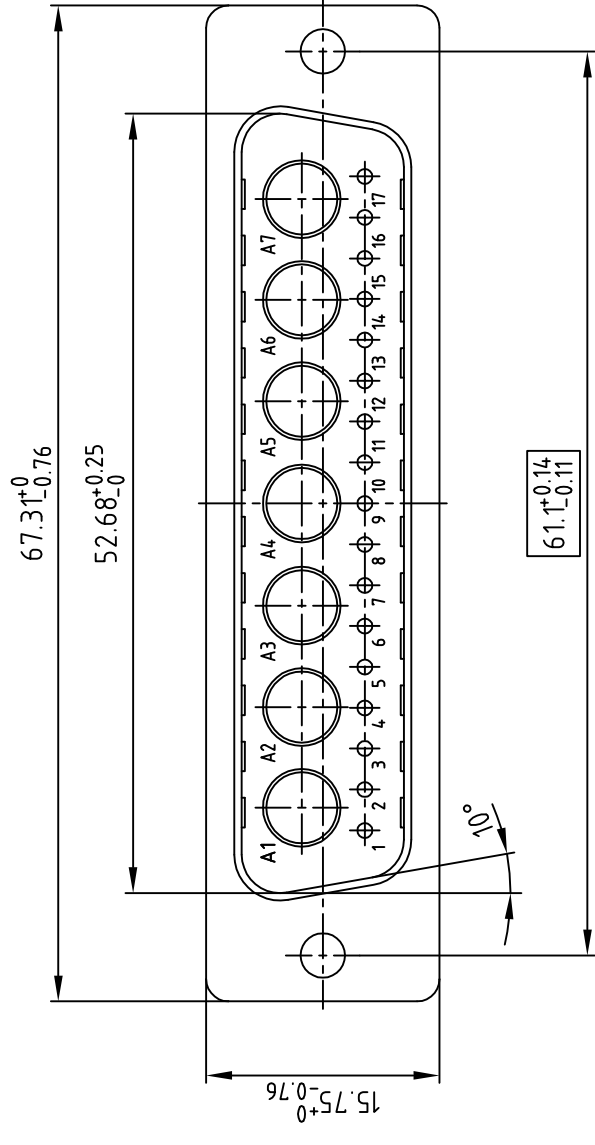


used for: D-SUB COMBINATION CRIMP



NOTES:

1. METALSHELLS: STEEL; min. 320µ" TIN
2. INSULATORS: PBT GF UL 94 V-0, BLACK
3. = CRITICAL DIMENSION: SPC

THIS DRAWING MAY NOT BE COPIED OR REPRODUCED IN ANY WAY, AND MAY NOT BE PASSED ON TO A THIRD PARTY WITHOUT WRITTEN PERMISSION.
 OWNERSHIP AND COPYRIGHT OF CONEC GMBH DO NOT ALTER CAD DRAWING BY HAND

tolerance		date		name	
	2001	drawn	31.10.	Parei	
		appd.	31.10.	E. Mickenbecker	
		norm			
		d-old			

scale:	2:1
material:	SEE NOTES
title:	D-SUB COMBINATION MALE CRIMP STYLE 24W7P
dwg no:	AutoCAD 2000 DIN-A 13K1A384A 3
part no:	3024W7PXK99A10X sh:1/1



rev. description	date	name