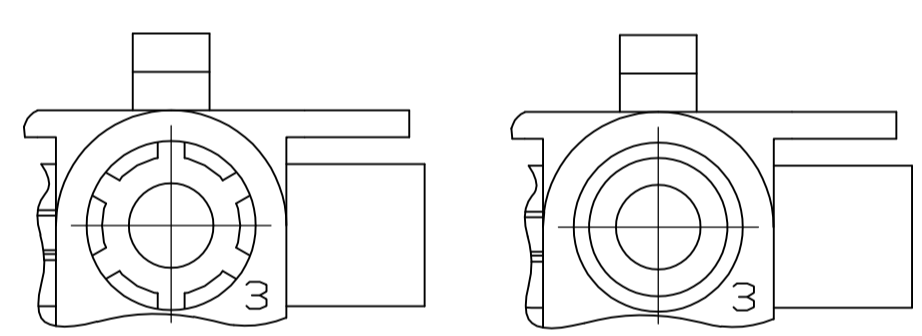
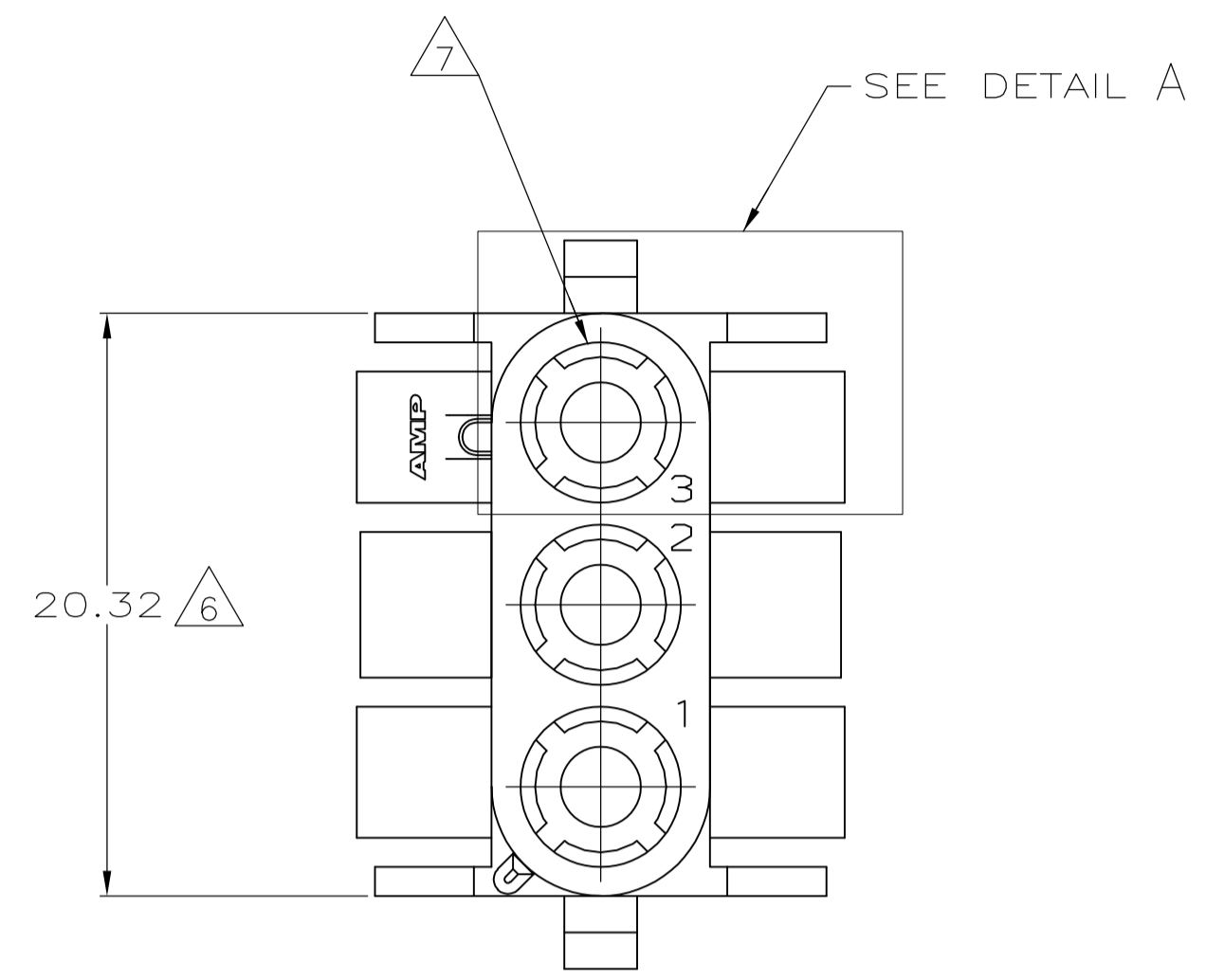
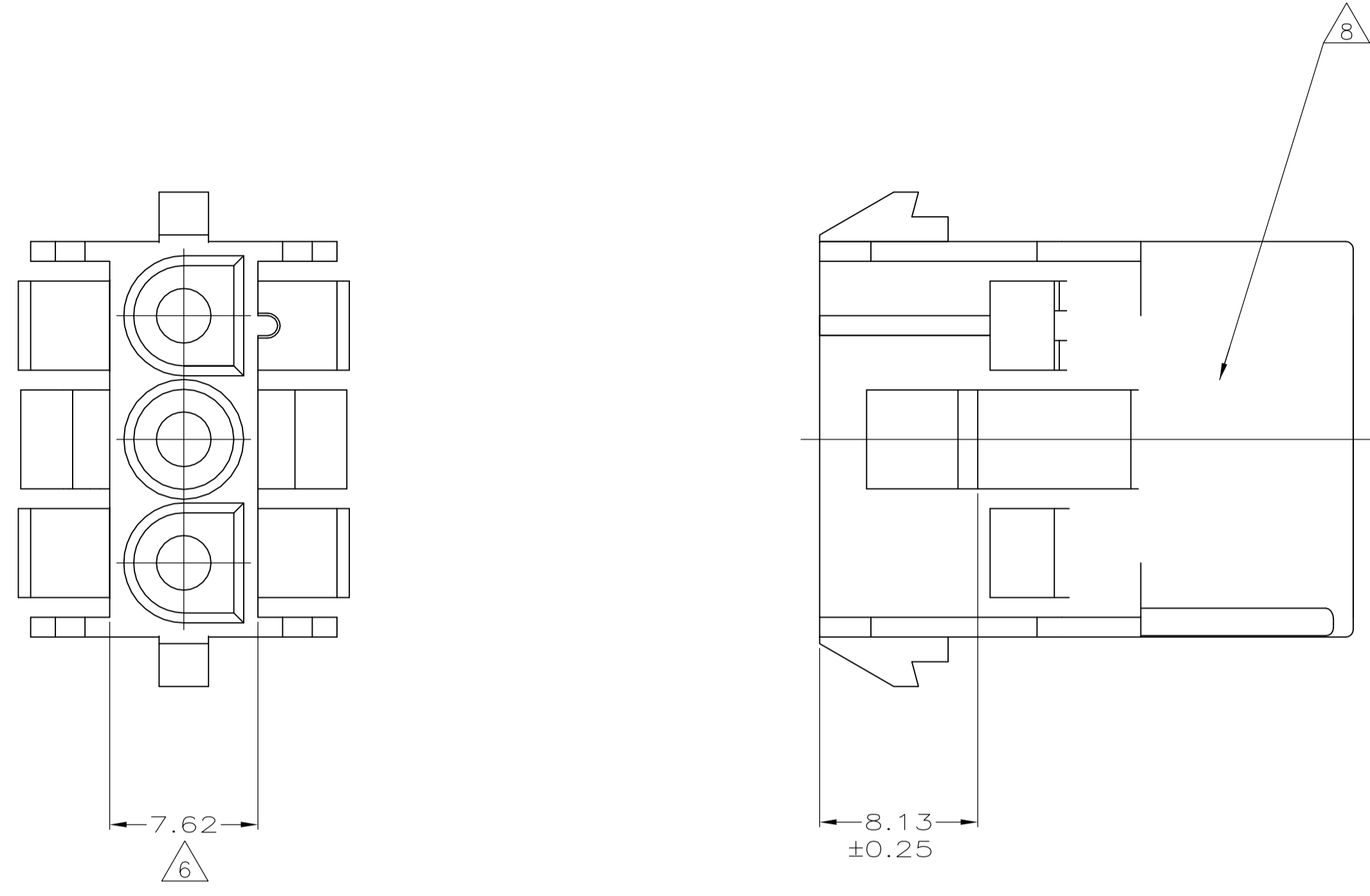
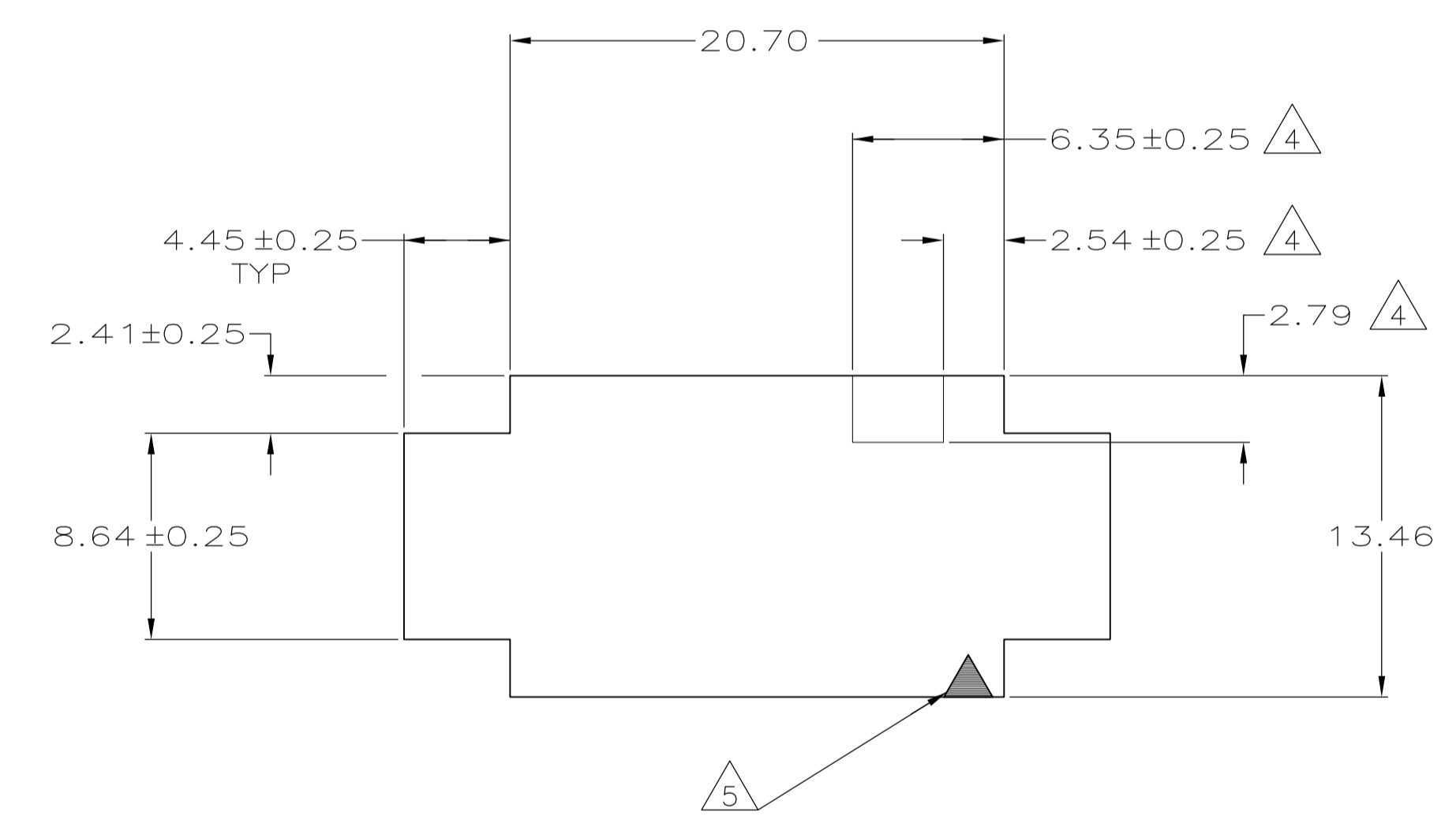
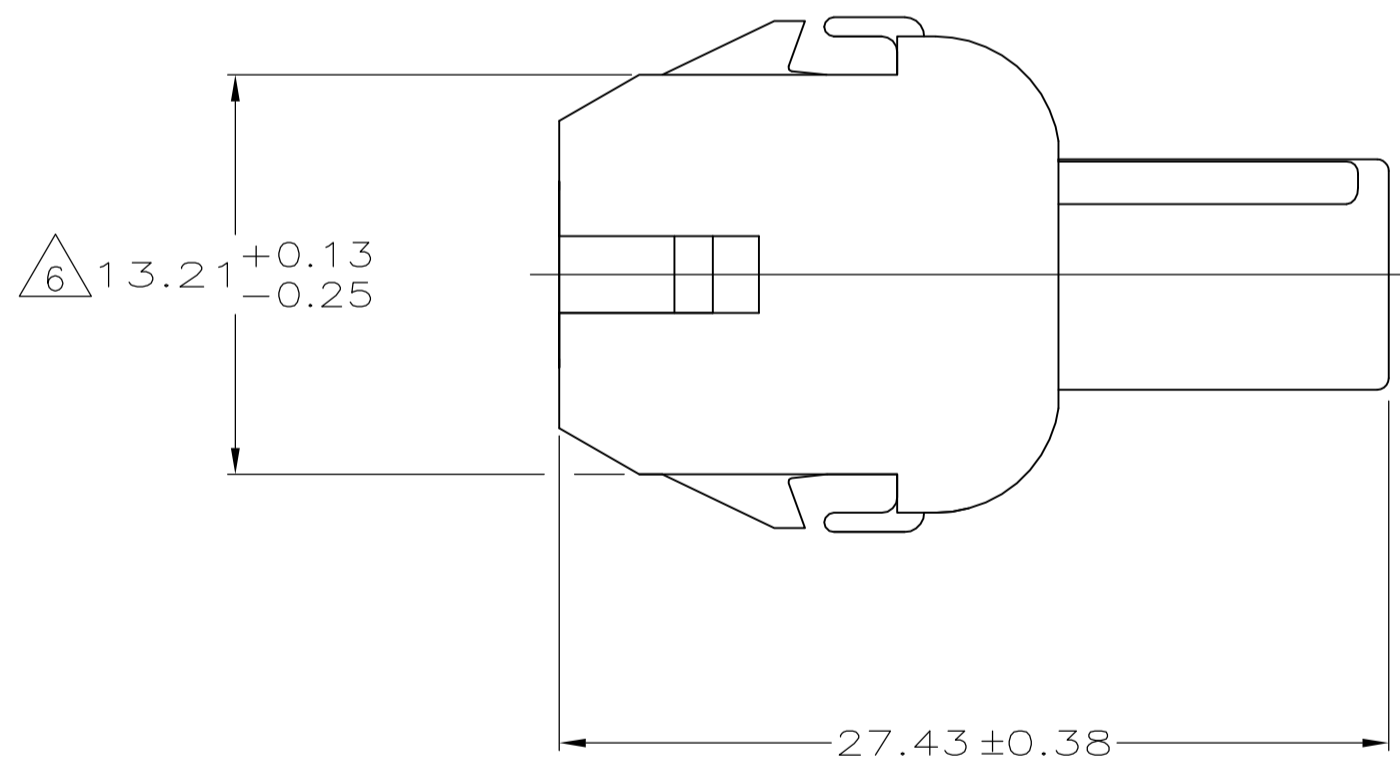


LOC		DIST		REVISIONS			
CM		53		REV	DESCRIPTION	DATE	BY
				A1	REVISED PER ECO-08-022511	11SEP08	HMR DC

- 1 MATES WITH APPROPRIATE UNIVERSAL MATE-N-LOK™ PLUG.
- 2 RECOMMENDED PANEL THICKNESS 0.76 - 2.29.
- 3 PANEL MUST BE PUNCHED SO THAT THE HOUSING ENTERS THE PANEL IN THE SAME DIRECTION AS THE PUNCH.
- 4 OPTIONAL FOR KEYING HOUSING IN PANEL.
- 5 CIRCUIT NUMBER 1 LOCATION.
- 6 DIMENSION INDICATED IS AS MOLDED. ADDITIONAL GROWTH DUE TO SUBSEQUENT MOISTURE ABSORPTION MAY OCCUR.
- 7 FOUR RIBS EQUALLY SPACED, NO SPECIFIC ORIENTATION, NO RIBS OR SIX RIBS EQUALLY SPACED, NO SPECIFIC ORIENTATION, OPTIONAL.
- 8 UNDERWRITERS RECOGNIZED COMPONENT LOGO 8 AND CSA CERTIFICATION LOGO TO BE LOCATED ONCE EACH ON SIDE OF HOUSING.
- 9 150° C TEMPERATURE RATING FOR THIS HOUSING IS FOR SHORT TERM DURATION. MAX OPERATING TEMPERATURE REMAINS 125° C.
- 10 PHOSPHOR BRONZE CONTACTS SHOULD ALWAYS BE USED WITH THIS HOUSING.



DETAIL A  
OPTIONAL CONSTRUCTIONS



RECOMMENDED PANEL CUT OUT

4.45	.175	27.43	1.080
2.79	.110	20.70	.815
2.54	.100	20.32	.800
2.41	.095	13.46	.530
2.29	.090	13.21	.520
0.76	.030	8.64	.340
0.38	.015	8.13	.320
0.25	.010	7.62	.300
0.13	.005	6.35	.250
MM	IN	MM	IN

CONVERSION TABLE

METRIC

THIS DRAWING IS A CONTROLLED DOCUMENT.

DIMENSIONS: INCHES	TOLERANCES UNLESS OTHERWISE SPECIFIED:	DWG: K. WHITAKER 16-MAY-2001	CHK: S. RIDGILL 16-MAY-2001	APVD: S. RIDGILL 16-MAY-2001	NAME: Tyco Electronics Corporation Harrisburg, PA 17105-3608
0. PLC ± -	1. PLC ± -	2. PLC ± 0.13	3. PLC ± -	4. PLC ± -	ANGLES ± 1° 0'
MATERIAL: NYLON, UL 94V-2, HIGH TEMP	FINISH: -	SIZE: A1	WEIGHT: -	CAGE CODE: 00779	DRAWING NO: 794900
CUSTOMER DRAWING			SCALE: 4:1	SHEET: 1 OF 1	REV: A1

BLACK 794900-1  
COLOR PART NO

Tyco Electronics Corporation  
Harrisburg, PA 17105-3608

NAME: CAP, 3 CIRCUIT, UNIVERSAL MATE-N-LOK™ TM