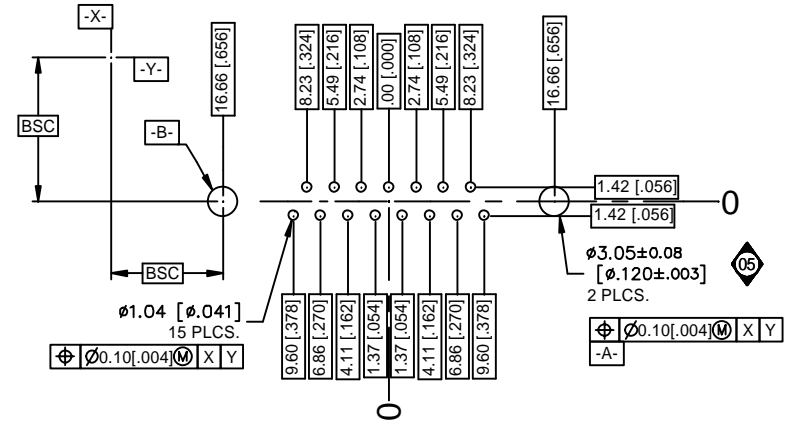
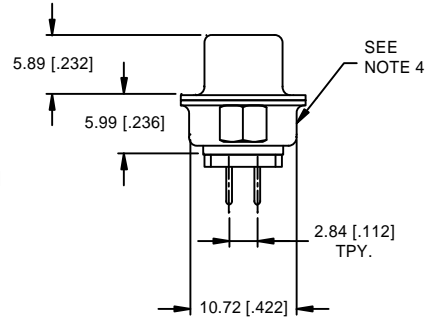
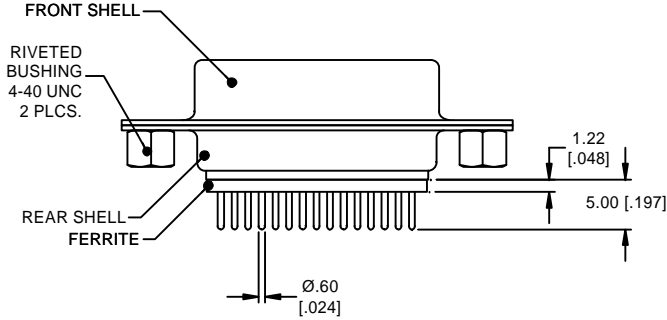
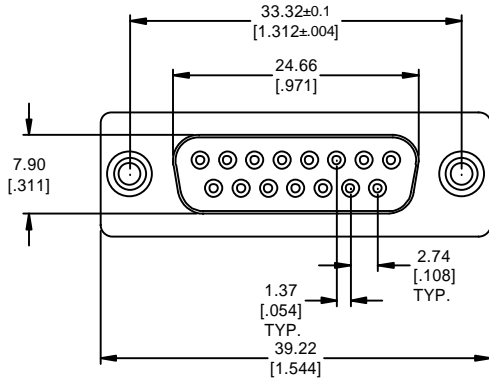



NOTES:

1. MATERIAL  
 HOUSING : PBT, GLASS FILLED, UL RATED 94V-0, BLACK  
 FRONT SHELL: CARBON STEEL  
 CONTACTS: PHOSPHOR BRONZE  
 BUSHINGS: BRASS
2. FINISH  
 FRONT SHELL: TIN PLATED.  
 CONTACTS: GOLD FLASH IN MATING AREA OVER 2.54 um [.000100] MIN  
 NICKEL ON ENTIRE CONTACT AREA.  
 BUSHINGS: NICKEL PLATED
3. ELECTRICAL SPECIFICATION:  
 10-17 OHMS AT 30 MHz. TYP.  
 12-19 OHMS AT 50 MHz. TYP.  
 15-24 OHMS AT 100 MHz. TYP.
4. SCI, 56-413-001 AND DATE CODE MARKED ON THIS SURFACE.



P.C. BOARD MOUNTING DIMENSIONS

05	04	03	02	REV. NO.	UNLESS OTHERWISE SPECIFIED DIMENSIONS ARE IN MILLIMETERS. [INCHES] DO NOT SCALE. THIRD ANGLE PROJECTION	TOLERANCES UNLESS OTHERWISE SPECIFIED Dec. .x ± 0.3 [.012] Dec. .xx ± 0.13 [.005] Dec. .xxx ± Angles ±	 SPECTRUM CONTROL INC. Dwn. P. Wells Date 08-16-07 Engr. D. Henry Sheet 1 of 1	FAIRVIEW PENNSYLVANIA SOCKET ASSEMBLY, 15 POSITION, VERTICAL MNT. 56-413-001
CN 36556-ENG	CN 34917-CPD	CN 13434-CPD	CN 196177	CHANGE NOTICE				
05	04	03	02	REV. NO.				
CN 36556-ENG	CN 34917-CPD	CN 13434-CPD	CN 196177	CHANGE NOTICE				
05	04	03	02	REV. NO.				

