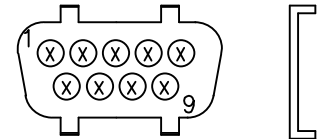


CONN SIZE	FILTER DESIGNATION	FILTER CIRCUITS	CAPACITANCE		3 dB MAX CUTOFF FREQ (MHz)	DIELECTRIC WITHSTANDING VOLTAGE	CONTACT RATING	CONTACT RESIST	WORKING VOLTAGE DC		MINIMUM INSERTION LOSS-DECIBELS (dB)			
			VALUE	TOLERANCE					-55°C TO +125°C	20 MHz	100 MHz	500 MHz	1 GHz	
9	011	FT	440pF	±30%	11	300V	5A	.010 OHM MAX	100V		3	15	27	33

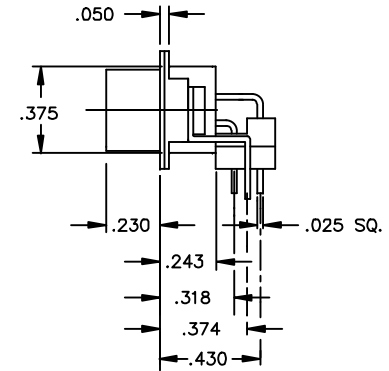
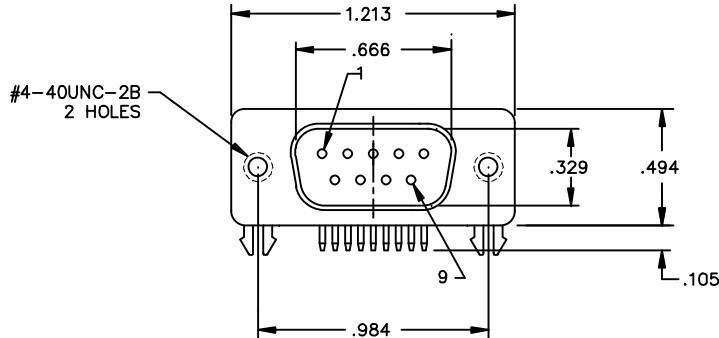
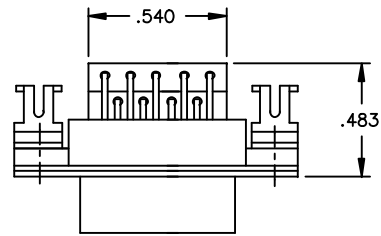
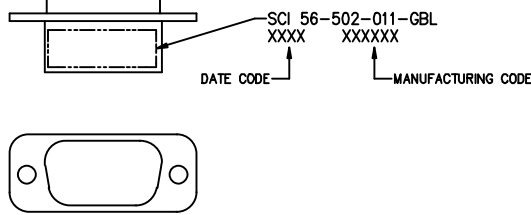
FILTER ELEMENT LOCATION



(X) = 011

SOCKET VIEW

MARKING



NOTES:
SHELL: STEEL, TIN PLATED.
INSULATOR: UL 94V-0
CONTACT; COPPER ALLOY, .000015 GOLD PLATED IN PIN CONTACT MATING AREA.

+ ALL TEST CONDITIONS AT 25°C. 50% RELATIVE HUMIDITY.
CAP. PER MIL-STD-202 METHOD 305, 1.0 VRMS MAX. 1KHz.
D.W.V. PER MIL-STD-202 METHOD 301, 1-5 SEC. 50 mA MAX.
I.R. PER MIL-STD-202 METHOD 302.
I.L. PER MIL-STD-220, NO LOAD CONDITION.

THIS DOCUMENT CONTAINS PROPRIETARY INFORMATION AND IS COPYRIGHTED. EXCEPT WITH THE WRITTEN PERMISSION OF SPECTRUM CONTROL INC., OR ITS SUBSIDIARIES, SUCH INFORMATION SHALL NOT BE PUBLISHED OR DISCLOSED TO OTHERS OR USED FOR ANY PURPOSE AND THIS DOCUMENT SHALL NOT BE DUPLICATED IN WHOLE OR IN PART.

					6	REV. INCL.
					192325	CHANGE NOTICE

UNLESS OTHERWISE SPECIFIED DIMENSIONS ARE IN INCHES.
CADD SCALE: FULL
PLOT SCALE: 2x

TOLERANCES UNLESS OTHERWISE SPECIFIED
Fractions ± 1/64
Dec. .xx±
Dec. .xxx± .015
Angles ±0° 30'
CODE IDENT. NO. OLSP2

	CONNECTOR PRODUCTS DIVISION
	ERIE, PENNSYLVANIA
SPECTRUM CONTROL INC.	Description
Dwn. SLAGLE	9 POSITION LOW PROFILE PIN/RT AWG FILTERED CONN.
Date 8/23/99	
Apvd.	
Sheet 1 of 1	B
	56-502-011-GBL

Quality Products From The Specialists In Electro-Magnetic Compatibility