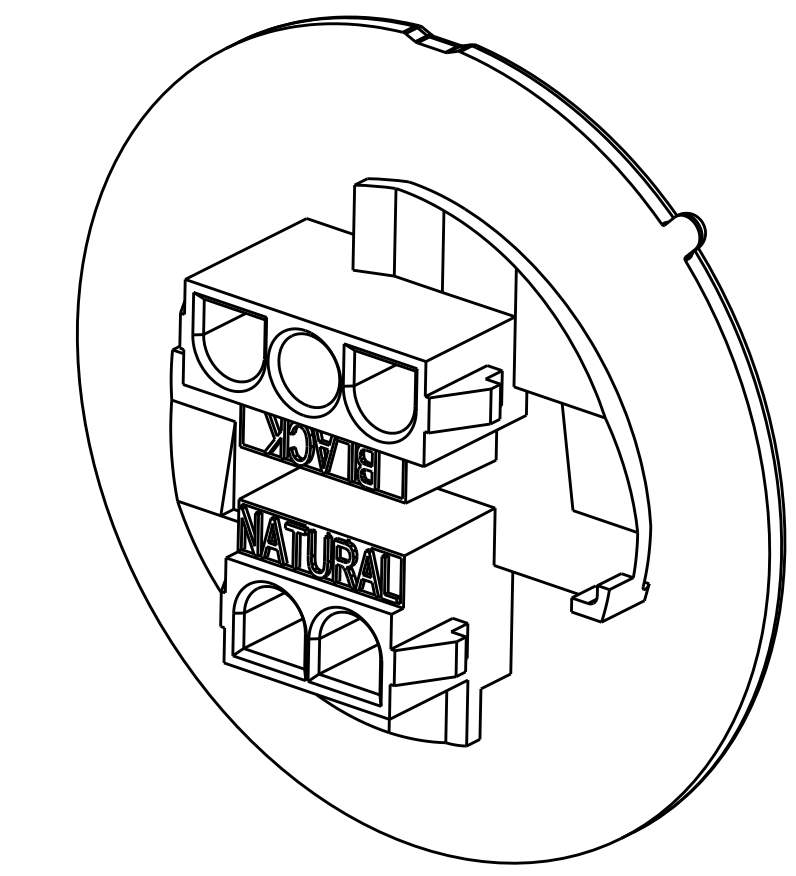
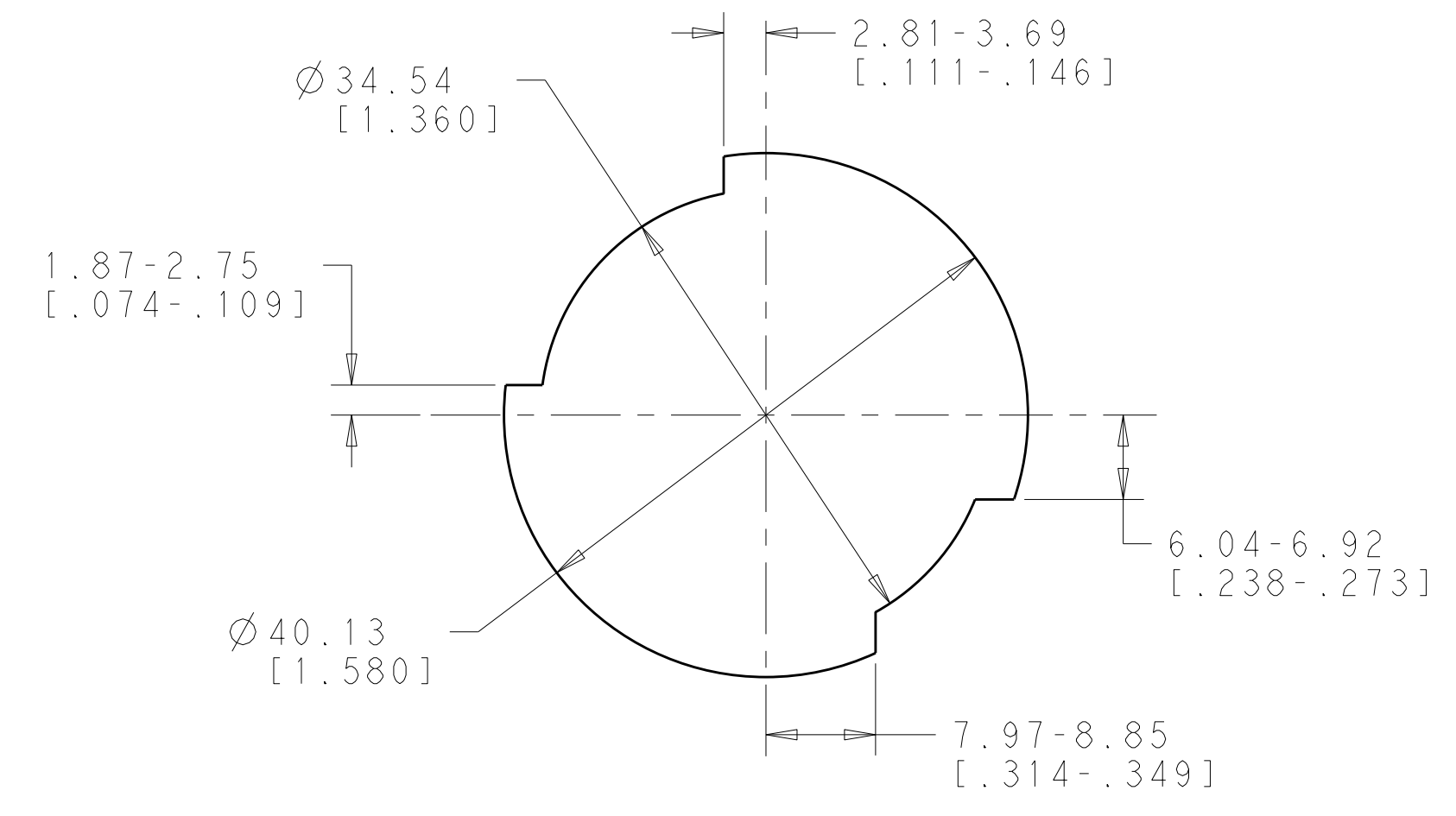
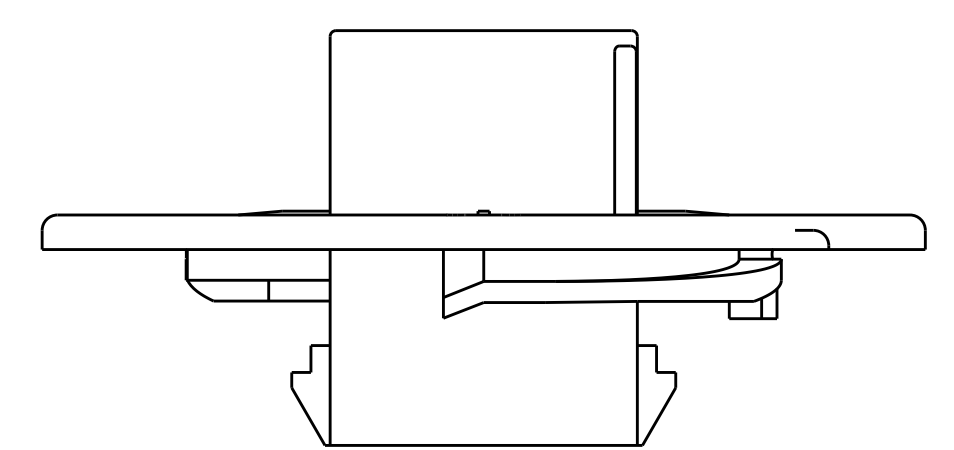
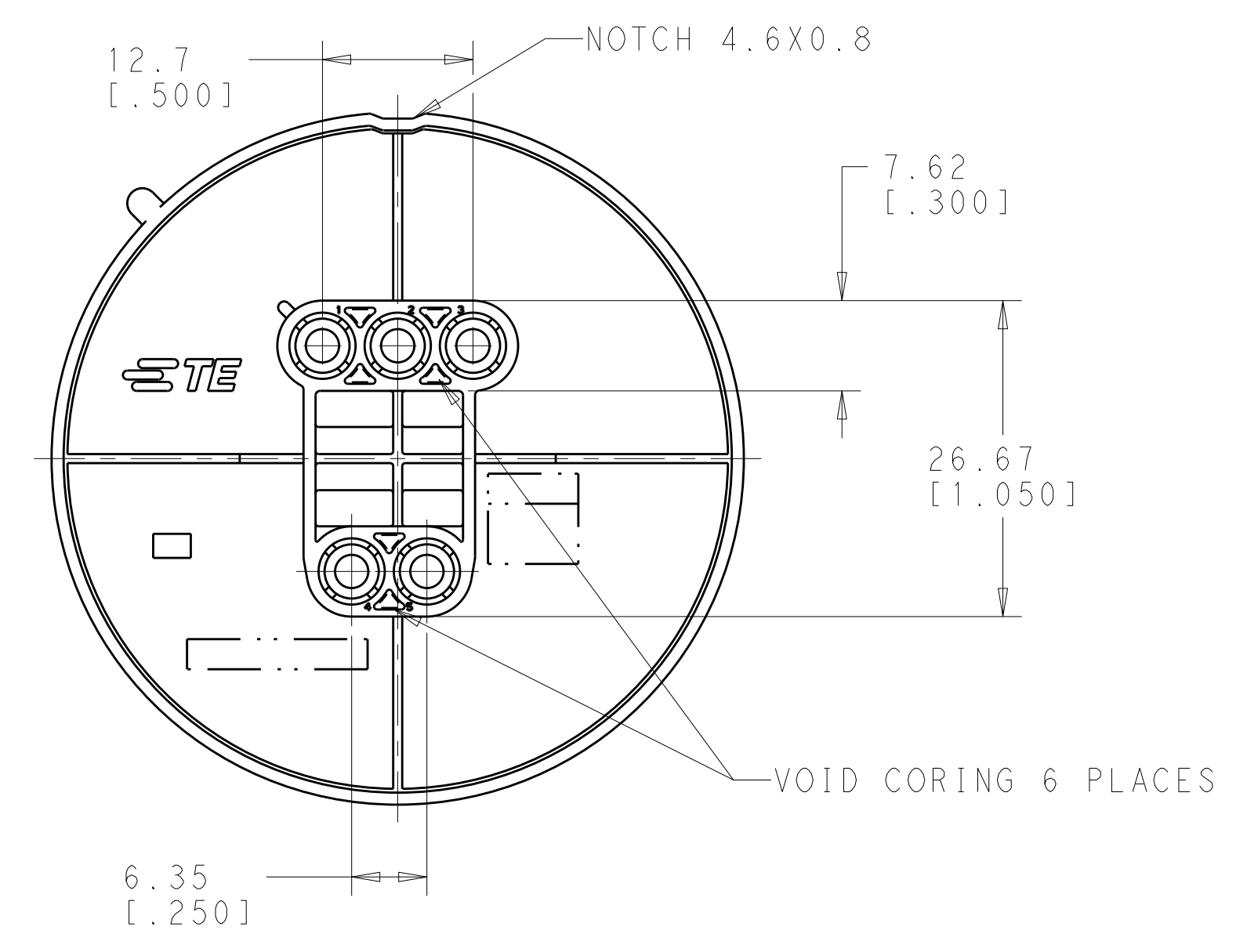
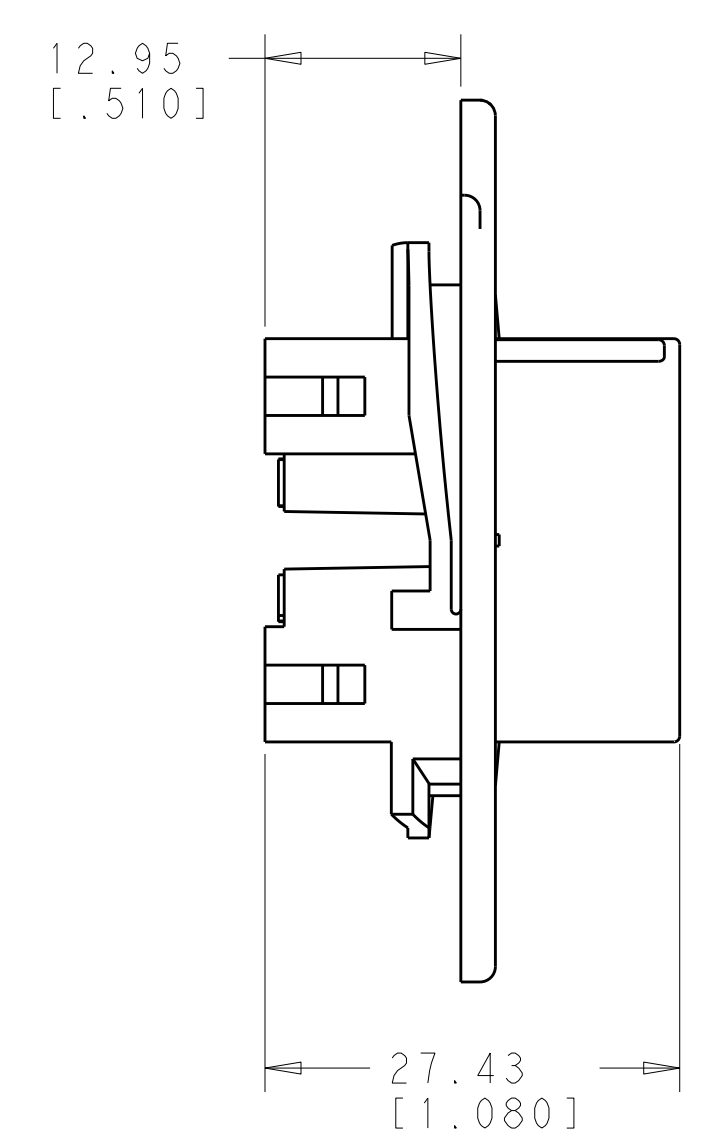
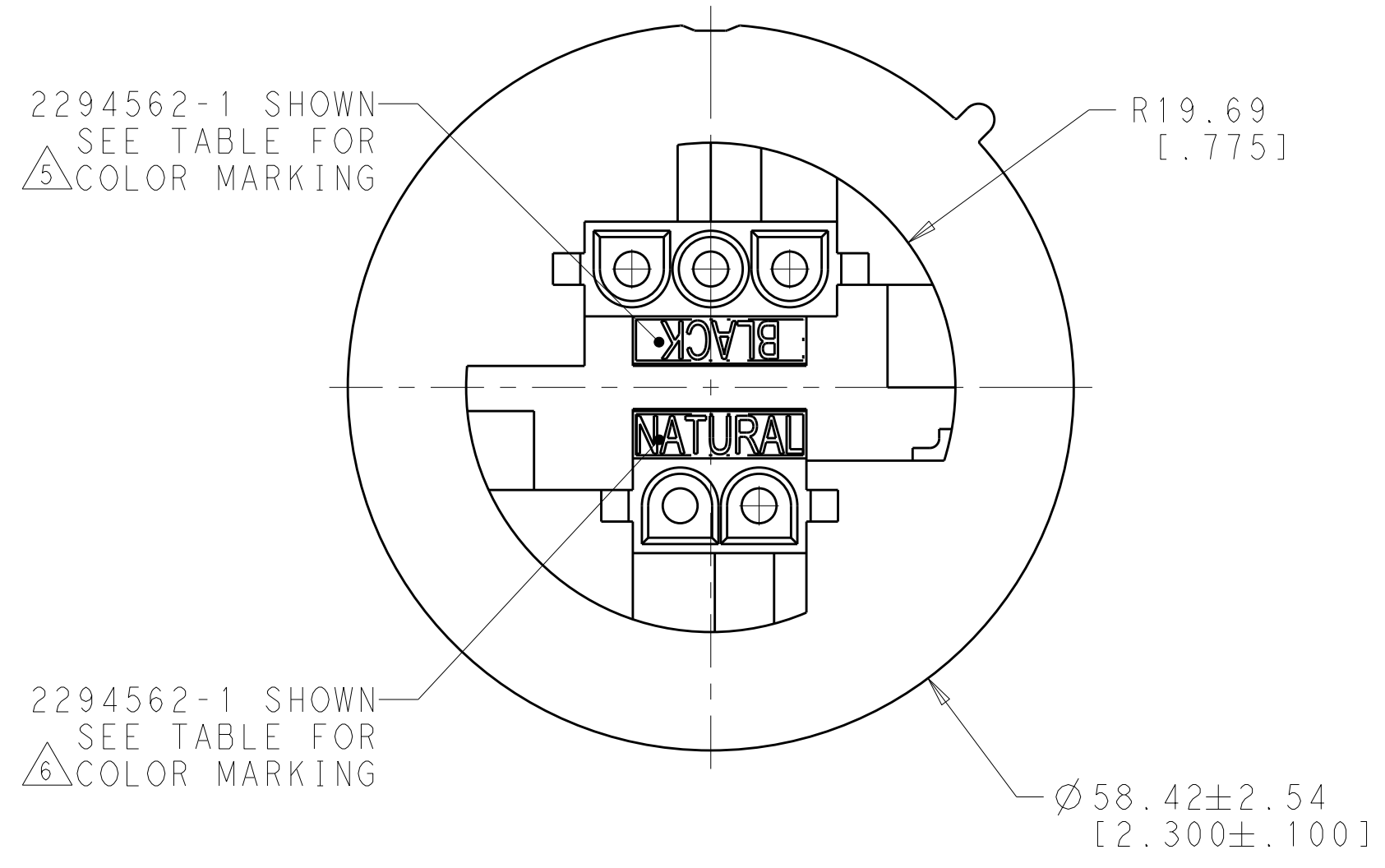


REVISIONS				
REV	DATE	DESCRIPTION	BY	APP'D
B	15DEC2017	REVISED PER ECR-17-017770	BW	SF



RECOMMENDED PANEL CUTOUT \triangle



- 1 MATES WITH APPROPRIATE 2 POSITION AND 3 POSITION UNIVERSAL MATE-N-LOK PLUG HOUSINGS.
- \triangle 2 RECOMMENDED PANEL THICKNESS 0.76-1.91 [.030-.075].
- 3 PANEL MUST BE PUNCHED SO THAT THE HOUSING ENTERS THE PANEL IN THE SAME DIRECTION AS THE PUNCH.
- 4 DIMENSIONS SHOWN REPRESENT PRODUCT IN DRY, AS MOLDED, CONDITION. ADDITIONAL 2% GROWTH DUE TO SUBSEQUENT MOISTURE ABSORPTION MAY OCCUR AND SHOULD BE ACCOUNTED FOR.
- \triangle 3 3 POSITION MATING PART COLOR CODING MARKING, SEE TABLE.
- \triangle 2 2 POSITION MATING PART COLOR CODING MARKING, SEE TABLE.
- \triangle 7 THIS PRODUCT HAS NOT COMPLETED QUALIFICATION TESTING.

BROWN	RED	RED	2294562-2
NATURAL	BLACK	NATURAL	2294562-1
\triangle 2 POSITION 6 COLOR MARKING	\triangle 3 POSITION 5 COLOR MARKING	RESIN COLOR	PART NO.
THIS DRAWING IS A CONTROLLED DOCUMENT.		DWN RODNEY SMITH 12APR16 CHN EVAN WICKES 12APR16 APVD EVAN WICKES 12APR16	
DIMENSIONS: IN 9 PLC ± 3 PLC ±0.51 [.020] 5 PLC ±0.51 [.020] 4 PLC ± ANGLES ±		NAME CAP, 2 AND 3 CIRCUIT UNIVERSAL MATE-N-LOK, SPECIAL PRODUCT SPEC 108-1031 APPLICATION SPEC 114-1010 WEIGHT - FINISH -	
MATERIAL NYLON, V2		SIZE A1 CAGE CODE - DRAWING NO. C=2294562 RESTRICTED TO - SCALE 2:1 SHEET 1 OF 1 REV B	
CUSTOMER DRAWING			