

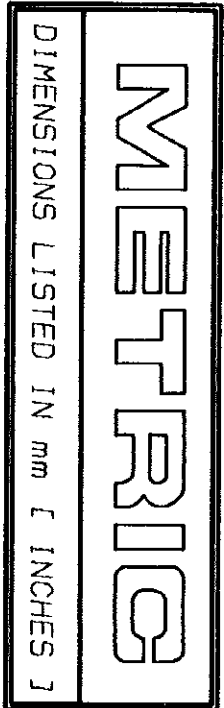
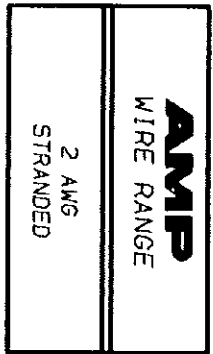
THIS DRAWING IS UNPUBLISHED. RELEASED FOR PUBLICATION

© COPYRIGHT 19 BY AMP INCORPORATED. ALL INTERNATIONAL RIGHTS RESERVED.

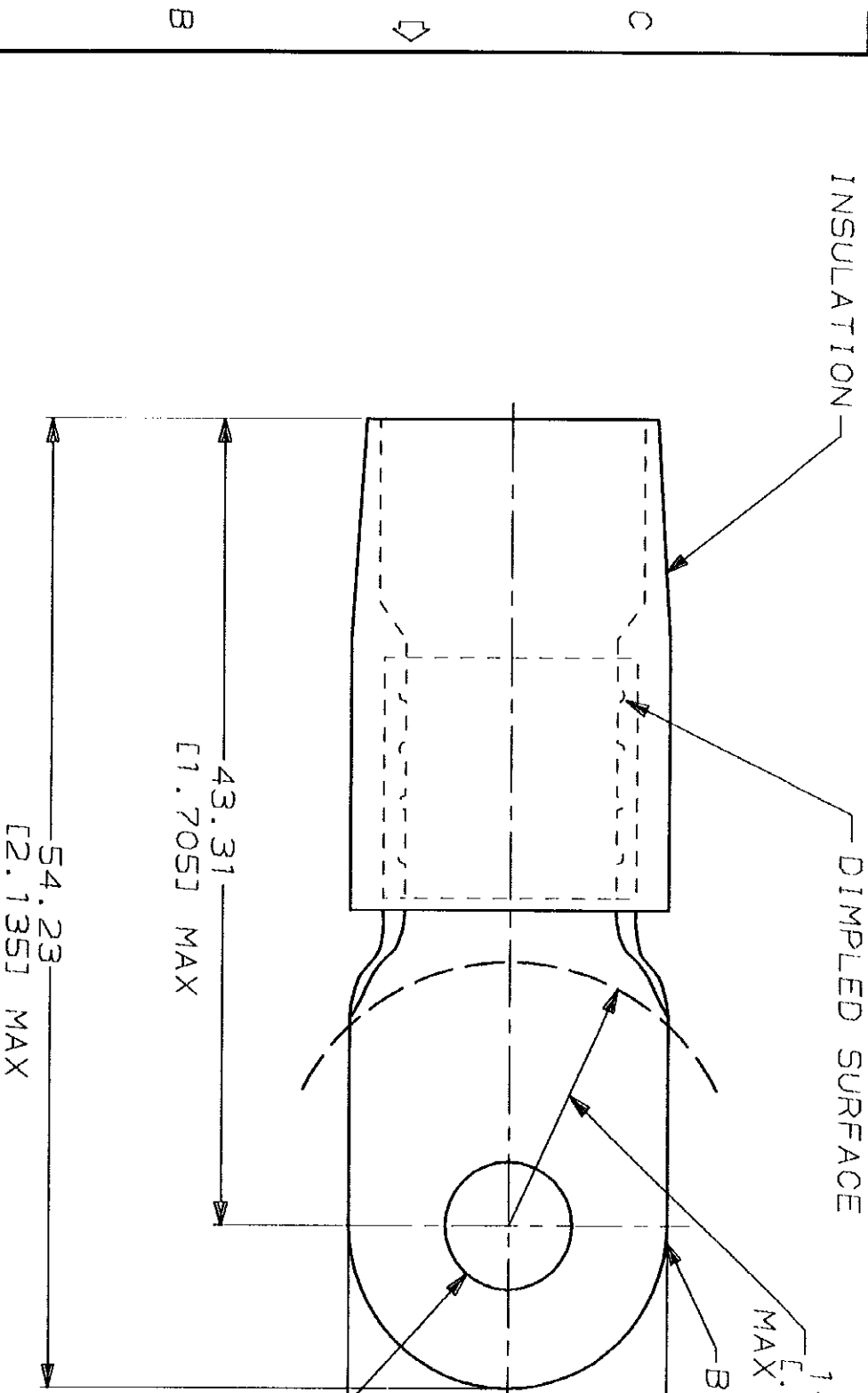
LOC	DIST
G	14

P	F	ZONE	LTR
		E	EC 0720-0279-93

REVISIONS	DESCRIPTION	DATE	APPD
		6-21-93	SSS BS



1. TONGUE MATERIAL THK 1.45±0.08 [0.057±.003] FOR 11.89 [0.468] MAX WIRE INS DIA



AMP INCORPORATED
CUSTOMER SERVICE SYSTEMS

FOR ADDITIONAL PRODUCT INFORMATION OR COPIES OF DRAWINGS AND TECHNICAL DOCUMENTS	1-800-522-6752	PRODUCT INFORMATION CENTER
FOR APPLICATION	1-800-722-1111	TOOLING ASSISTANCE CENTER
FOR ORDER ENTRY	1-800-526-5142	

MS25036-128 CLASS 2	MILITARY P/N & CLASS
DO NOT SCALE PRINT. UNLESS SPECIFIED OTHERWISE	
TOLERANCES UNLESS SPECIFIED	
1. DECIMALS ± 0.001	
2. PLC DEC ± 0.20 (0.008)	
3. PLC DEC ± 0.001	
ANGLES	
MATERIAL	
COPPER PER ASTM B-152	
NYLON (MIL-M-20693) TYPE 1	
COLOR: RED	
FINISH	
TIN PLATE PER MIL-T-10727	

DR 6-21-93	S.S. SOULDEN	QTY
CHK 6-21-93	R. HERSEY	
APPD 6-21-93	B. BARE	
APPD 6-21-93	H. ELLIS	
PRODUCT SPEC		
APPLICATION SPEC		
WEIGHT		

LOOSE PC	324055
PACKAGE TYPE	PART NO
AMP	AMP Incorporated Harrisburg, PA 17105-3608
NAME	
TERMINAL, RING TONGUE, TERMINYL	
WIRE SIZE: 2 AWG	
SIZE	CAGE CODE
B	00779
SCALE	DRAWING NO
NTS	G-324055
	SHEET
	1 OF 1

AMP 1470-15 REV 3-92 21 JUN 1993 09:38:55 AMP1122 <U128A>DEPT1132>AMP1122>U.CUSTOMINYL

CUSTOMER DRAWING