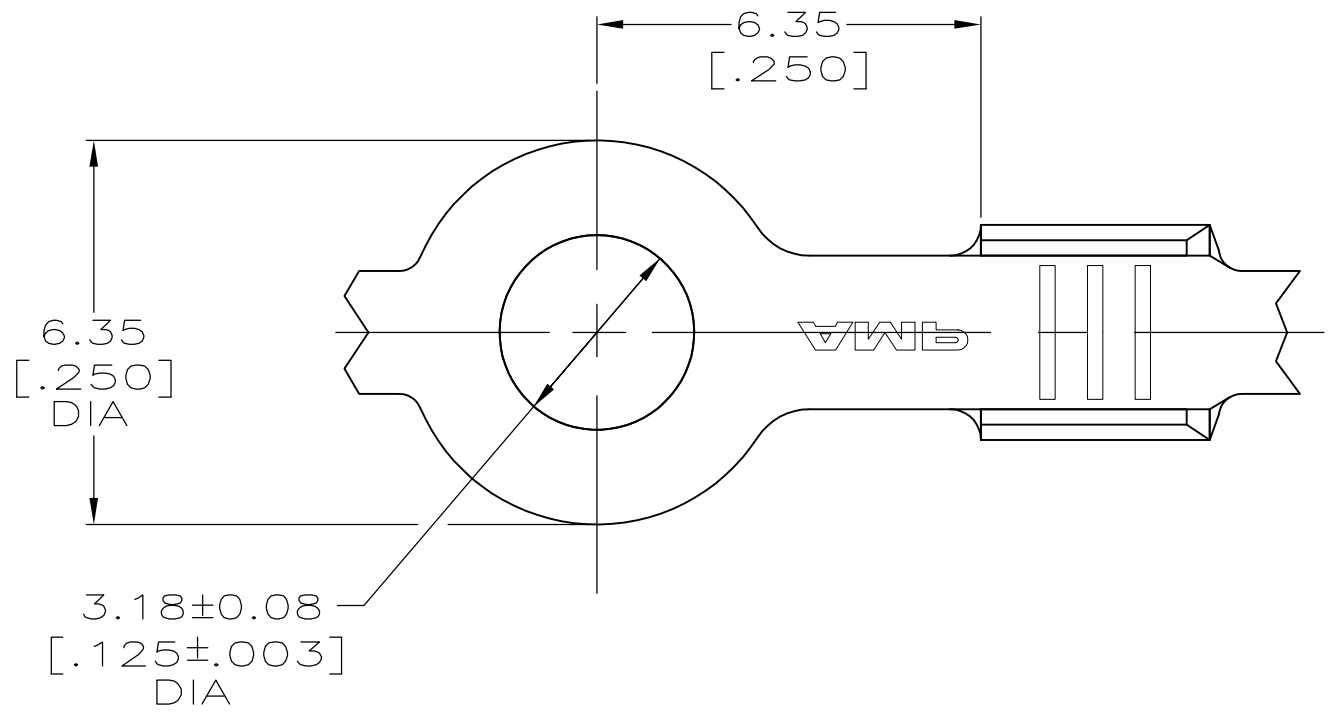
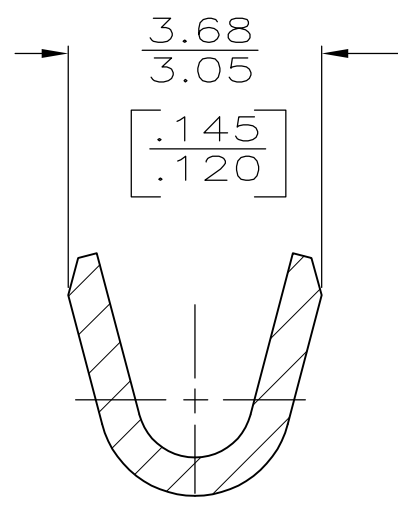


THIS DRAWING IS UNPUBLISHED. RELEASED FOR PUBLICATION
 © COPYRIGHT BY TYCO ELECTRONICS CORPORATION. ALL INTERNATIONAL RIGHTS RESERVED.

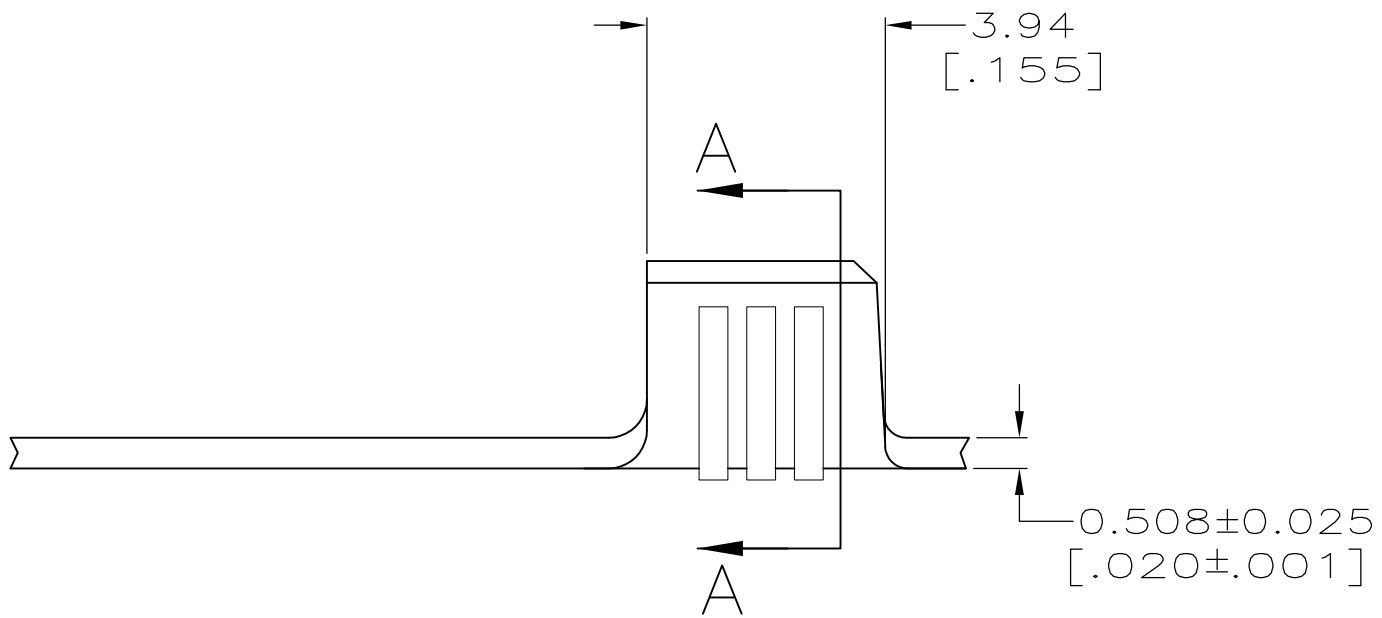
LOC	DIST	REVISIONS			
P	LTR	DESCRIPTION	DATE	DWN	APVD
AF	50	T	REVISED PER ECR-10-006099	07JUL10	HMR PD



1 CONTINUOUS STRIP ON REEL.



SECTION A-A
SCALE 10:1



OBSOLETE	H02 PHOS BRZ	[22-16] AWG	42185-3
	082 BRASS		42185-2
	MATERIAL	WIRE RANGE	PART NUMBER

THIS DRAWING IS A CONTROLLED DOCUMENT.		DWN PHILLIP M FORTNEY 11/FEB/97	Tyco Electronics Corporation Harrisburg, PA 17105-3608	
DIMENSIONS: mm [INCHES]	TOLERANCES UNLESS OTHERWISE SPECIFIED:	CHK JEFF R RUTH 11/FEB/97	NAME	
	0 PLC ± -	APVD GARY YETTER 11/FEB/97	PRODUCT SPEC	
	1 PLC ± -		APPLICATION SPEC	
	2 PLC ± 0.25 [.010]		SIZE	CAGE CODE
	3 PLC ± -		DRAWING NO	
	4 PLC ± -		RESTRICTED TO	
	ANGLES ± -		A3 00779 C-42185	
MATERIAL SEE TABLE	FINISH TIN	WEIGHT -	SCALE 8:1	SHEET 1 OF 1
CUSTOMER DRAWING			REV T	