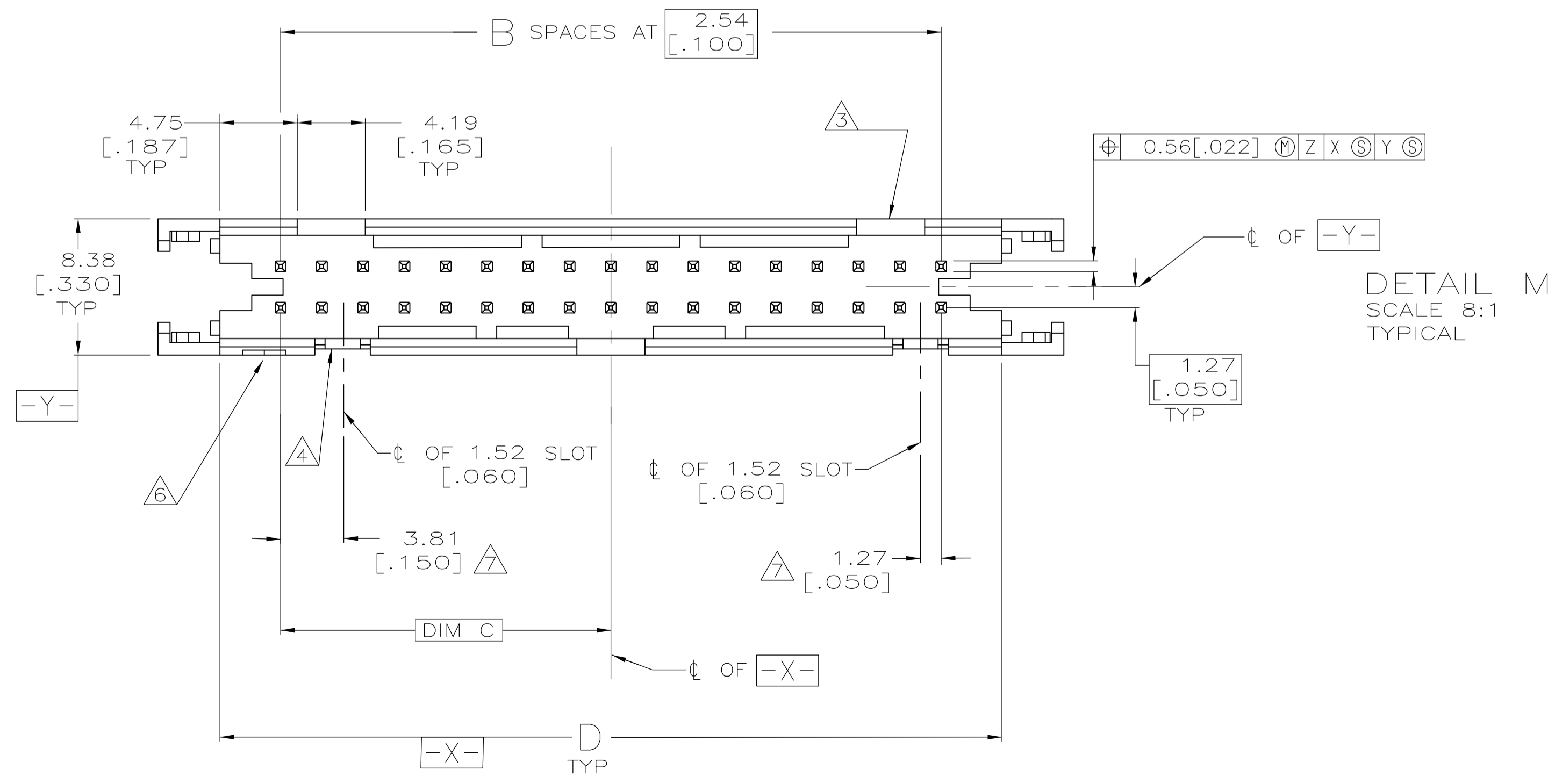
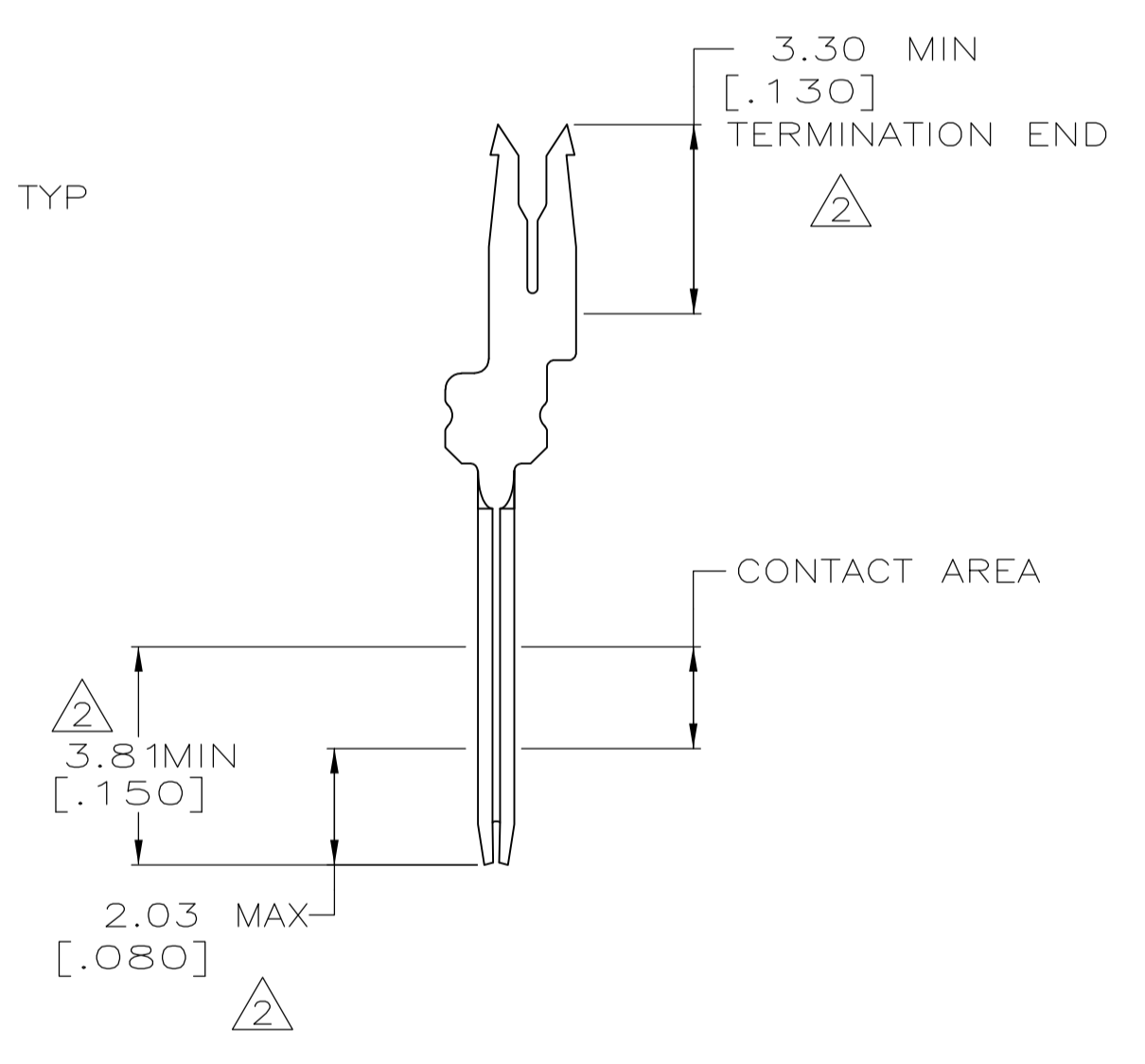
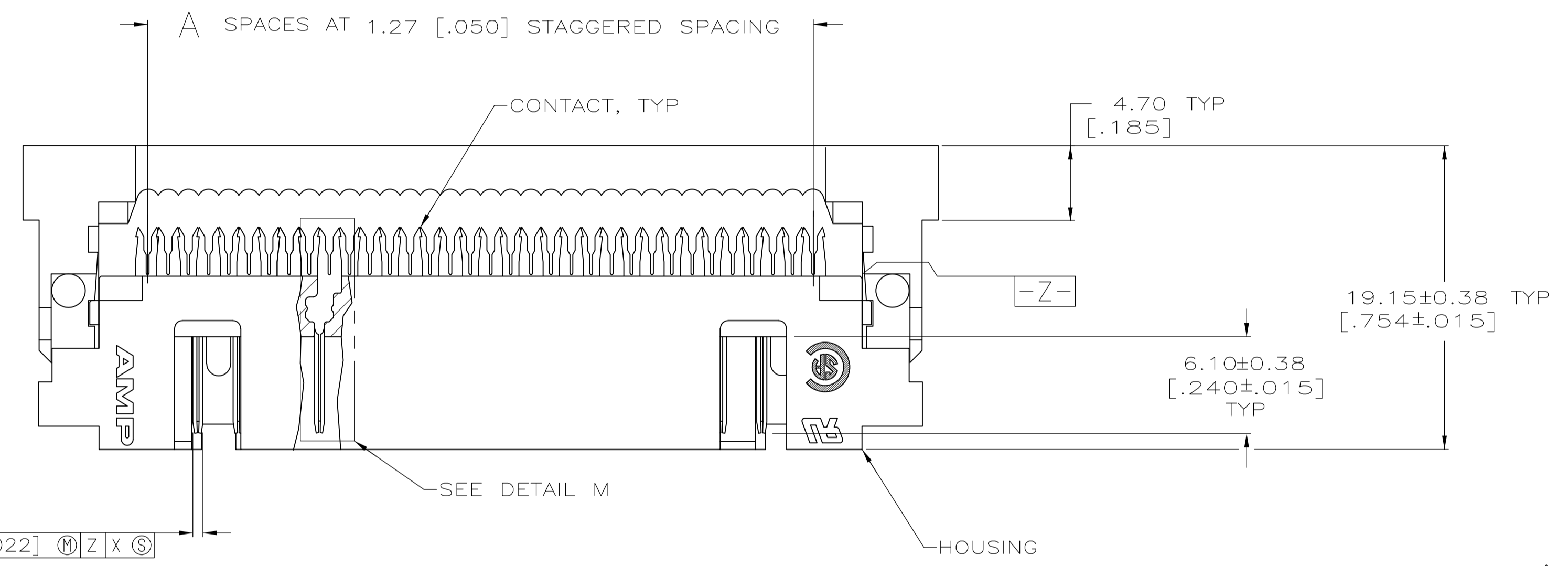
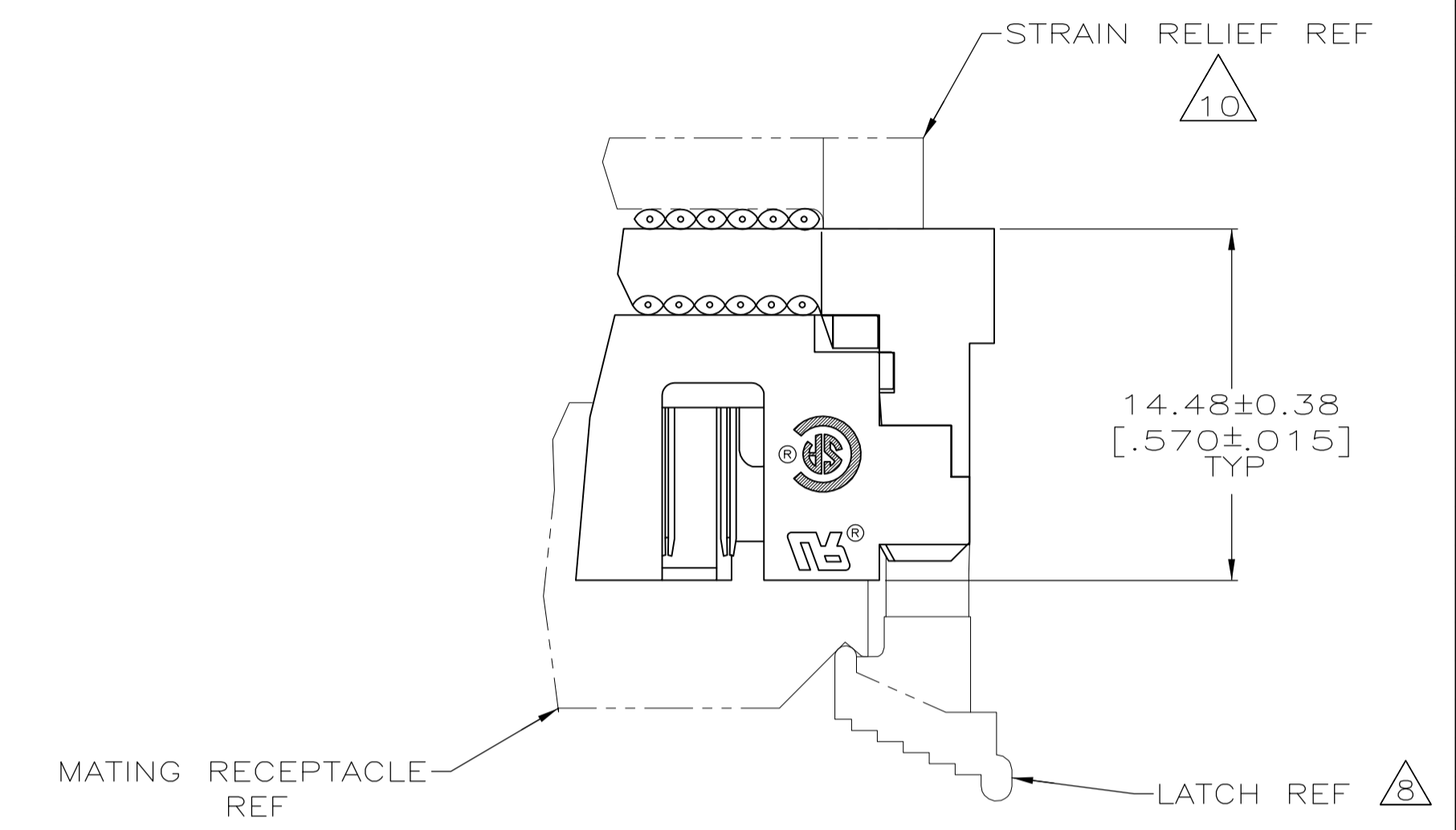
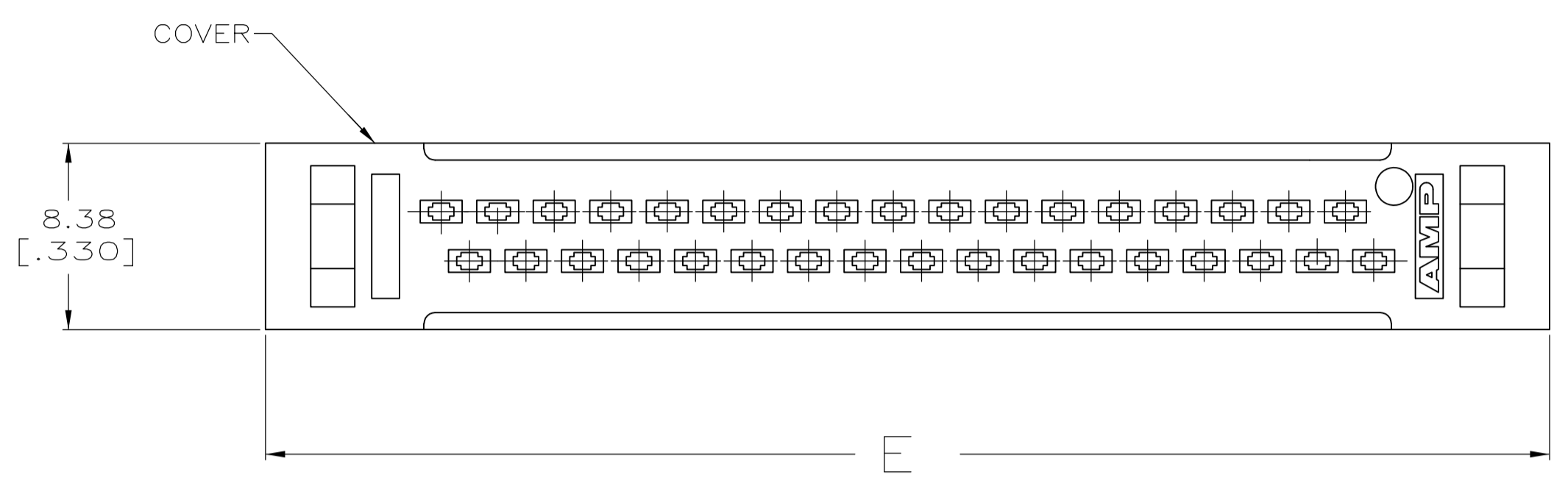


- 1 FLAME RETARDANT 94V-0 RATED THERMOPLASTIC; BLACK.
- 2 2.54µm [.000100] MIN MATTE TIN ON TERMINATION END, 0.38µm [.000015] MIN GOLD ON CONTACT AREA, ALL OVER 1.27µm [.000050] MIN NICKEL.  
-OR-  
GOLD FLASH OVER PALLADIUM-NICKEL 0.38µm [.000015] TOTAL ON CONTACT AREA, 2.54µm [.000100] MIN MATTE TIN ON TERMINATION END, ALL OVER 1.27µm [.000050] MIN NICKEL.
- 3 NO SLOT ON THIS END FOR TEN POSITION HOUSINGS.
- 4 NO SLOT FOR SNAP-IN POLARIZER ON THIS END FOR 10 AND 14 POSITION HOUSINGS.
- 5. FOR MILITARY POLARIZATION, ORDER SNAP-IN POLARIZER 499991-2 (BULK PACK OF 50).
- 6 POSITION NO 1 INDICATOR.
- 7 COORDINATE DIMENSION APPLIES FROM CENTER OF ACTUAL FEATURE.
- 8 FOR LATCHES ORDER 111451, 2 PER ASSEMBLY.
- 9 PHOSPHOR BRONZE PER QQ-B-750.
- 10 STRAIN RELIEF 111547 MUST BE ORDERED SEPARATELY.
- 11 OBSOLETE.



DETAIL M  
SCALE 8:1  
TYPICAL

95.81 [3.772]	86.21 [3.394]	39.37 [1.550]	31	63	64	11	1-111445-3
89.59 [3.527]	81.13 [3.194]	36.83 [1.450]	29	59	60	11	1-111445-2
78.03 [3.072]	68.43 [2.694]	30.48 [1.200]	24	49	50	11	1-111445-1
70.41 [2.772]	60.81 [2.394]	26.67 [1.050]	21	43	44	11	1-111445-0
65.33 [2.572]	55.73 [2.194]	24.13 [.950]	19	39	40	11	111445-9
57.71 [2.272]	48.11 [1.894]	20.32 [.800]	16	33	34		111445-8
52.63 [2.072]	43.03 [1.694]	17.78 [.700]	14	29	30	11	111445-7
47.55 [1.872]	37.95 [1.494]	15.24 [.600]	12	25	26	11	111445-6
45.01 [1.772]	35.41 [1.394]	13.97 [.550]	11	23	24	11	111445-5
39.93 [1.572]	30.33 [1.194]	11.43 [.450]	9	19	20	11	111445-4
34.85 [1.372]	25.25 [.994]	8.89 [.350]	7	15	16	11	111445-3
32.31 [1.272]	22.71 [.894]	7.62 [.300]	6	13	14	11	111445-2
27.230 [1.072]	17.63 [.694]	5.08 [.200]	4	9	10	11	111445-1
E	D	C	B	A	NO OF POSN		PART NUMBER

COVER NOT SHOWN  
IN THIS VIEW  
FOR CLARITY

THIS DRAWING IS A CONTROLLED DOCUMENT.

DIMENSIONS: mm [INCHES]	TOLERANCES UNLESS OTHERWISE SPECIFIED:	DIN H MOLL 7-11-90	TE Connectivity
0 PLC ± -	1 PLC ± -	8-1-90	UNIVERSAL I/O PIN CONNECTOR, WITHOUT MOUNTING EARS, AMP-LATCH
2 PLC ± ± 0.13[.005]	3 PLC ± ± -		PRODUCT SPEC 108-1336
4 PLC ± ± -	ANGLES ± ± -		APPLICATION SPEC 114-7011
MATERIAL HOUSING & COVER: 1	CONTACTS: 2	WEIGHT: -	SIZE: A1
		CUSTOMER DRAWING	SCALE: 4:1 SHEET 1 OF 1 REV H